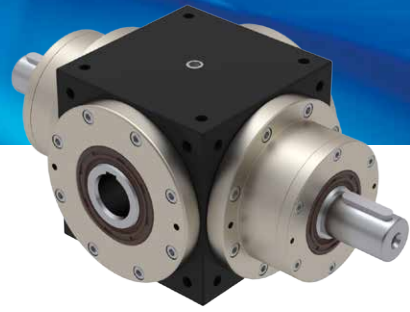


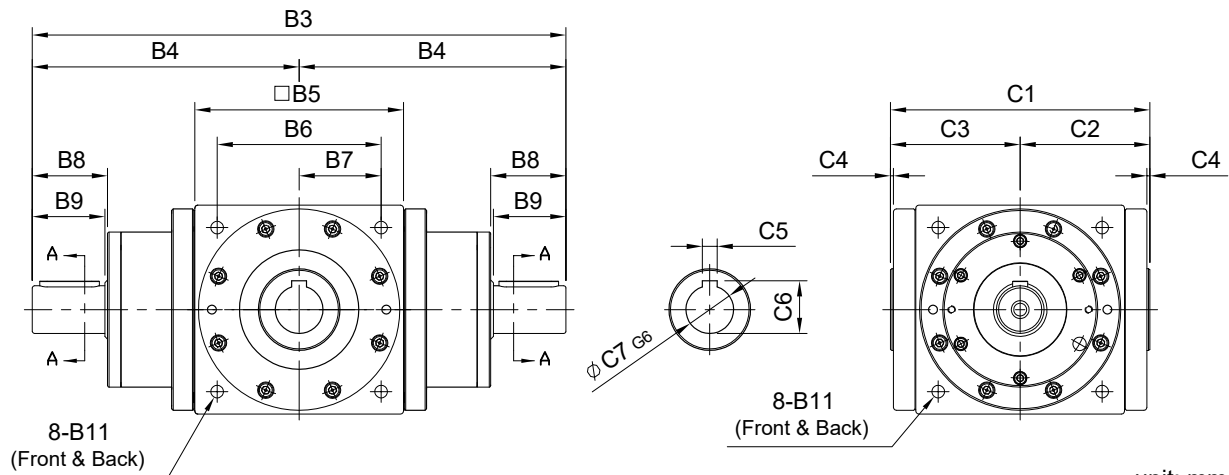
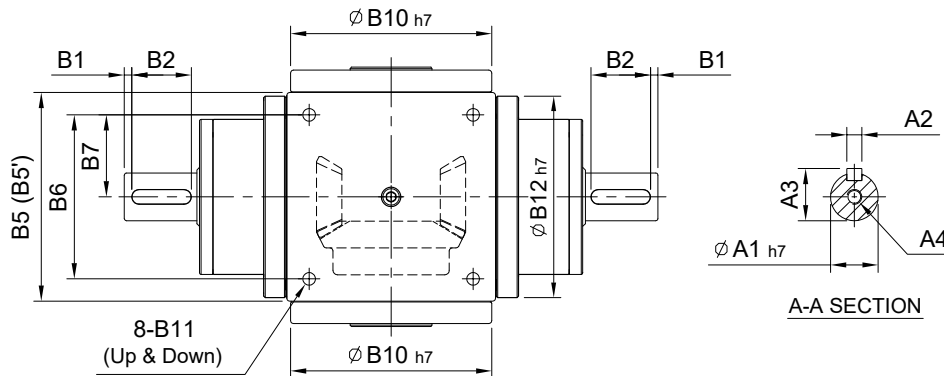
# ST-YO series

RATIO : 1.2.3.4.5 ( 單段 1-Stage)



雙入力軸心 - 出力中空軸

Double Input Shaft - Hollow Output Shaft



unit: mm

Model Code	Model									
	65	65 (1:1)	75	90	110	140	170	210	240	280
A	A1	14	16	18	22	32	40	50	55	60
	A2	5	5	6	6	10	12	14	16	18
	A3	16	18	20.5	24.5	35	43	53.5	59	64
	A4	M5 x P0.8	M5 x P0.8	M8 x P1.25	M8 x P1.25	M10 x P1.5	M12 x P1.75	M12 x P1.75	M16 x P2.0	M16 x P2.0
B	B1	2.5	2.5	5	5	5	5	5	5	5
	B2	15	25	25	30	40	50	65	70	90
	B3	190	210	247	304	360	430	540	620	730
	B4	95	105	123.5	152	180	215	270	310	365
	B5(B5')	65	75(74)	90	110	140	170(168)	210	240	280
	B6	52	60	72	88	110	134	170	190	220
	B7	26	30	36	44	55	67	85	95	110
	B8	22	32	38	43	53.5	64	77	82	105
	B9	20	30	35	40	50	60	75	80	100
	B10	62   64	73	88	106	135	164	205	228	275
B11	M5 x P0.8	M6 x P1.0	M6 x P1.0	M8 x P1.25	M10 x P1.5	M12 x P1.75	M16 x P2.0	M16 x P2.0	M16 x P2.0	
B12	-	73	88	106	135	164	205	228	219	
C	C1	84   89	100	118	144	174	204	250	292	328
	C2	42   44.5	50	59	72	87	102	125	146	164
	C3	42   44.5	50	59	72	87	102	125	146	164
	C4	2	2	2	2	2	2	2	2	3
	C5	5	5	6	6	10	12	14	16	18
	C6	16.3	16.3	20.8	24.8	35.3	43.3	53.8	59.3	64.4
	C7	14	14	18	22	32	40	50	55	60
Weight ±3% (kg)		2.85	3.6	6.2	11.5	18	28	57	95	