

MODEL : JT90

RATIO : 2 (單段 1-Stage)

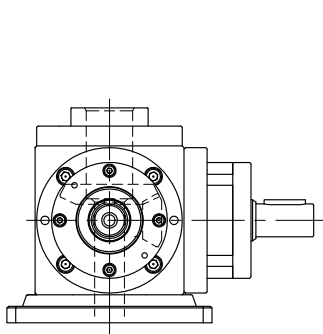
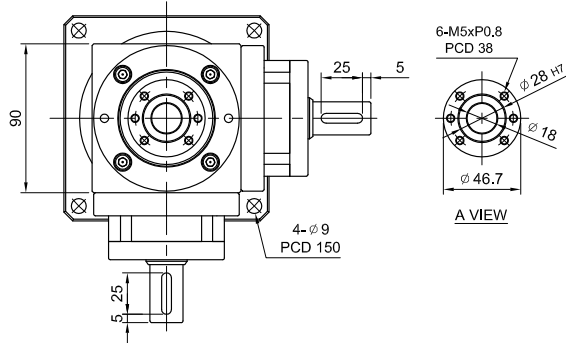


JT-DP2

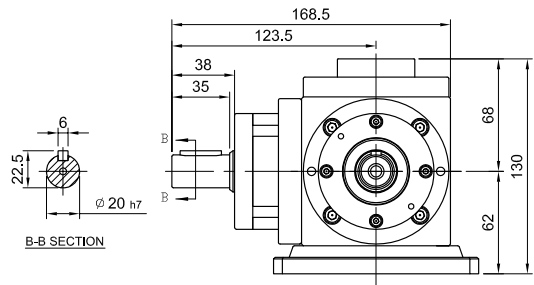
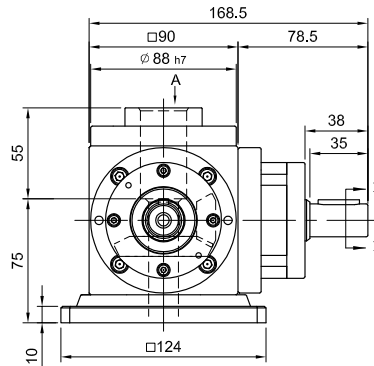
入力軸心 - 滾珠螺桿式 - 2 出軸

Input Shaft - Ball Screw - 2 Shout

| | |
|------------|------|
| Model Code | 90 |
| Weight | 7.46 |
| ±3% (kg) | |



R 軸
Shaft Direction

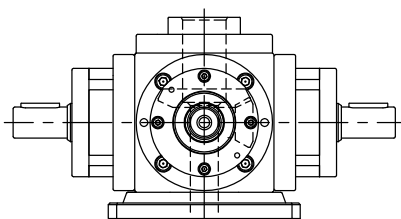
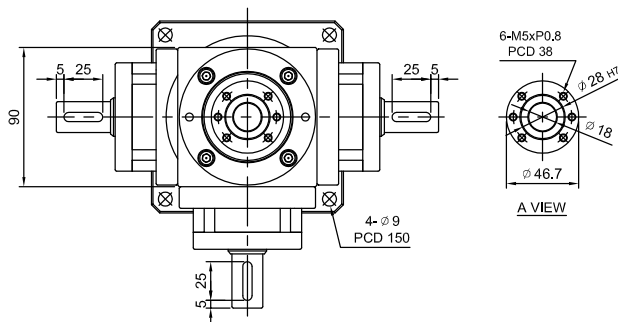


JT-DP3

入力軸心 - 滾珠螺桿式 - 3 出軸

Input Shaft - Ball Screw - 3 Shout

| | |
|------------|-----|
| Model Code | 90 |
| Weight | 8.9 |
| ±3% (kg) | |



R 軸
Shaft Direction

