

MODEL : JT90

RATIO : 2 (單段 1-Stage)

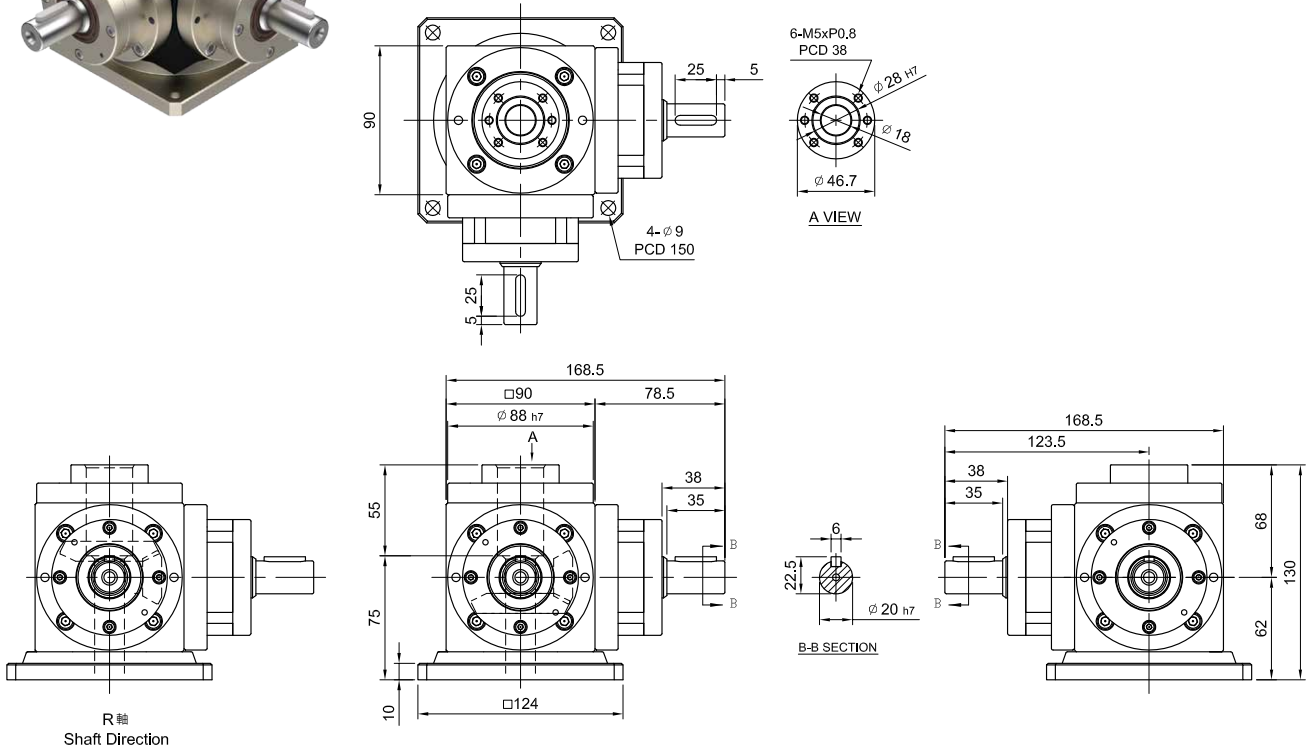


JT-DP2

入力軸心 - 滾珠螺桿式 - 2 出軸

Input Shaft - Ball Screw - 2 Shout

Model Code	90
Weight	7.46
±3% (kg)	



JT-DP3

入力軸心 - 滾珠螺桿式 - 3 出軸

Input Shaft - Ball Screw - 3 Shout

Model Code	90
Weight	8.9
±3% (kg)	

