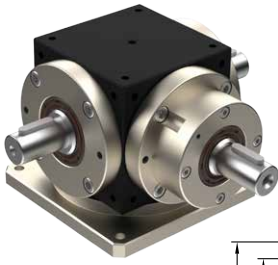


# MODEL : JT90

RATIO : 2 ( 單段 1-Stage)

JT

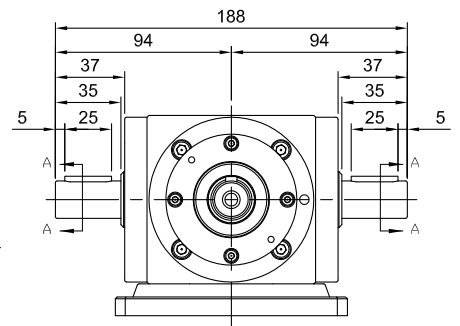
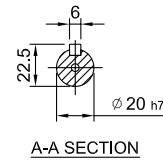
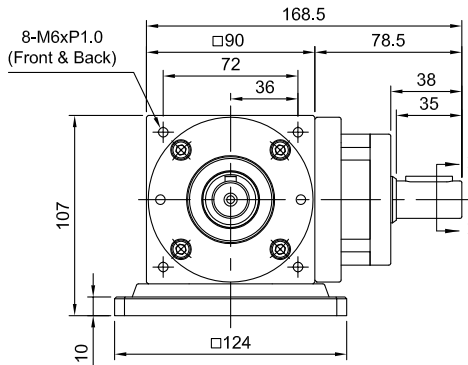
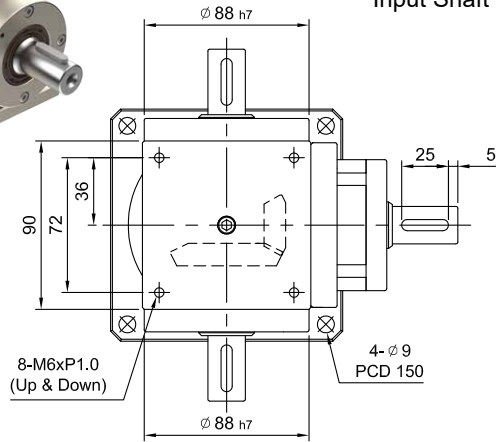


## JT-DV

入力軸心 - 雙出力軸心

Input Shaft - Double Output Shaft

Model Code	90
Weight	5.9
±3% (kg)	

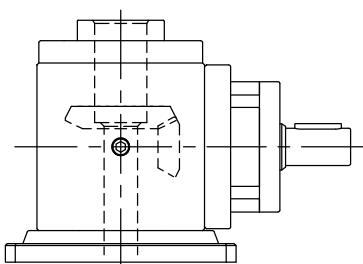
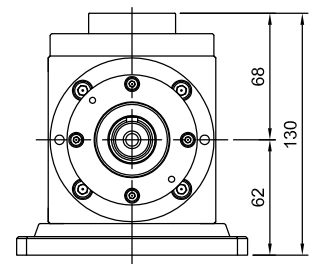
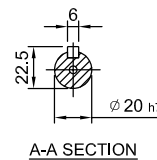
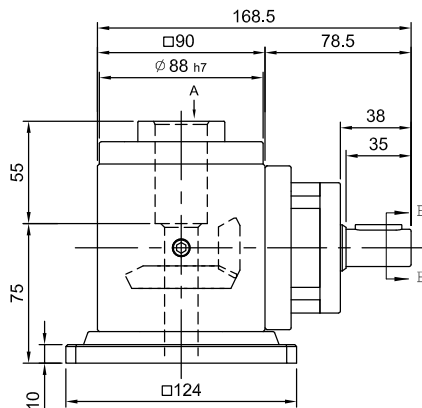
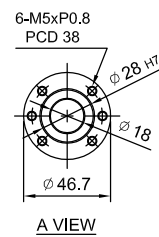
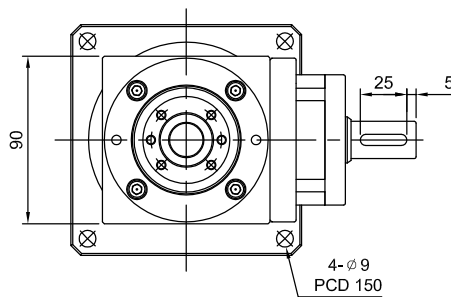


## JT-DP1

入力軸心 - 滾珠螺桿式 - 1 出軸

Input Shaft - Ball Screw - 1 Shout

Model Code	90
Weight	6.02
±3% (kg)	



R 軸  
Shaft Direction