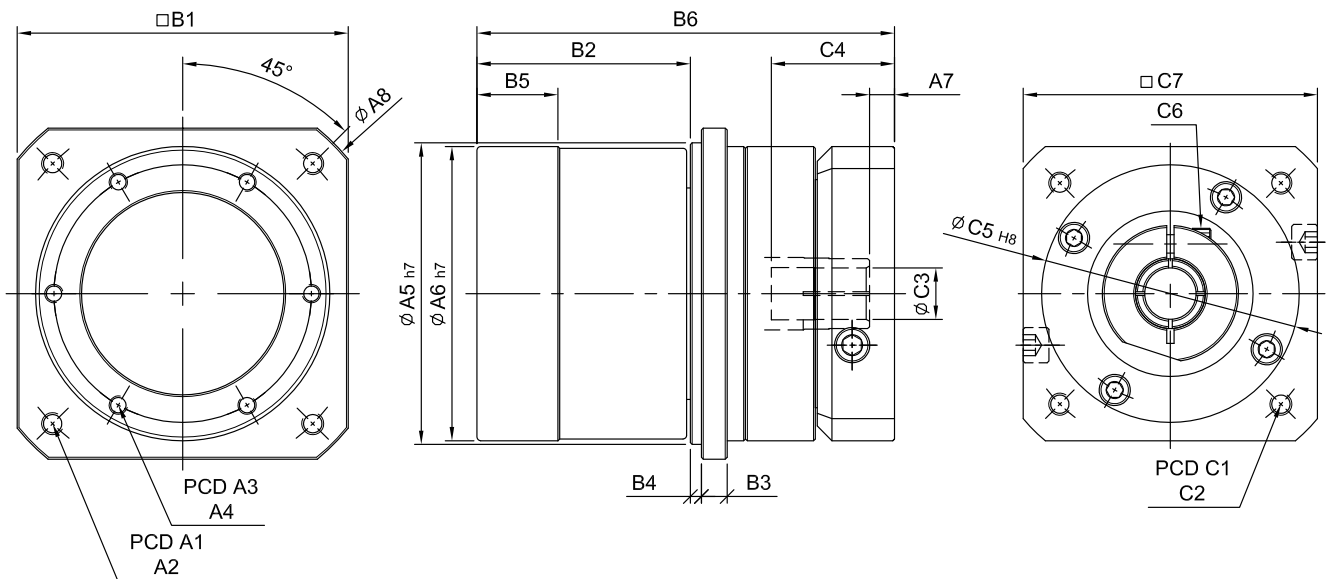
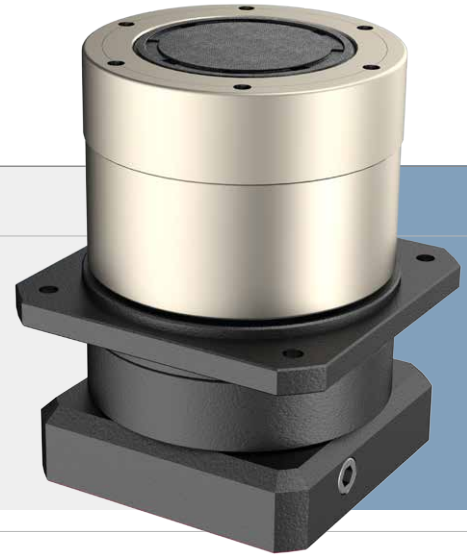


# SERVOBOX Planetary Reducers

## MODEL : SR

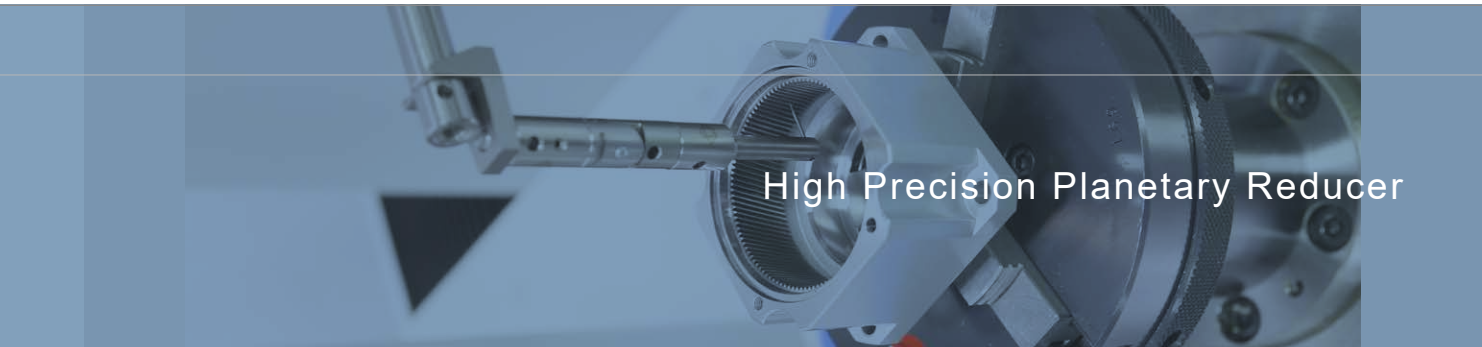
雙段 2-Stage

RATIO : 10, 15, 20, 24, 30, 36, 40, 45, 60, 90



unit: mm

Model	82	100	132
<b>A</b>			
Code			
A1	100	122	166
A2	M6 x P1.0	M8 x P1.25	M10 x P1.5
A3	70	84	114
A4	M5 x P0.8	M6 x P1.0	M8 x P1.25
A5	82	100	132
A6	80	96	128
A7	7 · 9	8	8
A8	116	139	184
<b>B</b>			
B1	90	108	140
B2	58	63	85.5
B3	7	9.5	12
B4	3	3.5	4
B5	22	24	34
B6	113.5	137	168
<b>C</b>			
C1	85	115	145
C2	M6 x P1.0	M6 x P1.0	M8 x P1.25
C3	14 · 19	19	19 · 24
C4	33.5 · 40.8	43.5	52
C5	70	95	110
C6	M5 x P0.8	M5 x P0.8	M8 x P1.25
C7	80	110	130



## High Precision Planetary Reducer

規格 Parameter	代號	單位 Unit	速比 Ratio	82	100	132
額定輸出扭矩 Rated Output Torque (Nominal output torque)	$T_{2N}$	Nm	10	86	131	271
			15	82	122	243
			20	76	115	239
			24	72	111	232
			30	72	111	232
			36	68	104	221
			40	76	115	239
			45	68	104	221
			60	72	111	232
			90	68	104	221
最大加速扭矩 Max. Acceleration Torque	$T_{2B}$	Nm	10 ~ 90	1.5 倍額定輸出力矩 1.5 Times of Rated Output Torque		
最大輸出扭矩 Max. Output Torque 急停扭矩 Emergency Stop Torque	$T_{2NOT}$	Nm	10 ~ 90	3 倍額定輸出力矩 3 Times of Rated Output Torque		
額定輸入轉速 Rated Input Speed	$n_{1N}$	rpm	10 ~ 90	3,000		
最大輸入轉速 Max. Input Speed	$n_{1B}$	rpm	10 ~ 90	6,000		
背隙 Backlash		arcmin	10 ~ 90	≤ 8	≤ 8	≤ 8
扭轉剛性 Torsional Rigidity		Nm/arcmin	10 ~ 90	10	14	27
容許徑向力 Max. Radial Force	$F_{2rB}$	N	10 ~ 90	3,000	3,400	7,200
容許軸向力 Max. Axial Force	$F_{2aB}$	N	10 ~ 90	1,500	1,700	3,600
使用壽命 Service Life	$L_H$	hr	10 ~ 90	S5 周期運轉 : >30,000 (S1 連續運轉 : >15,000 hrs) S5 Cycle Operation: >30,000 (S1 Continuous Operation: >15,000 hrs)		
效率 Efficiency	$\eta$	%	10 ~ 90	≥ 94%		
使用溫度 Operating Temperature		°C	10 ~ 90	- 25 °C ~ + 90 °C		
潤滑 Lubrication			10 ~ 90	全合成潤滑油脂 Synthetic Grease		
防護等級 Protection Class			10 ~ 90	IP65		
安裝方向 Mounting Position			10 ~ 90	任意方向 Any		
噪音值 Noise Level		dB	10 ~ 90	≤ 60	≤ 62	≤ 64
重量 Weight ±3%		Kg	10 ~ 90	2.8	4.6	10.1

### ■ 轉動慣量 Mass Moments of Inertia (kg.cm<sup>2</sup>)

Ratio	82	100	132
10~90	0.3	0.5	0.8