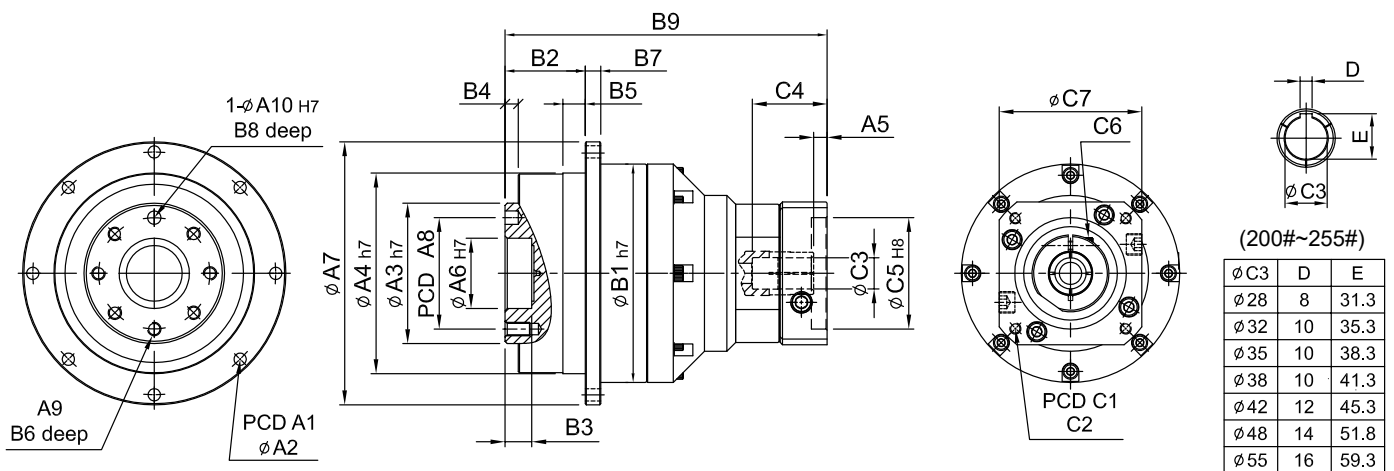
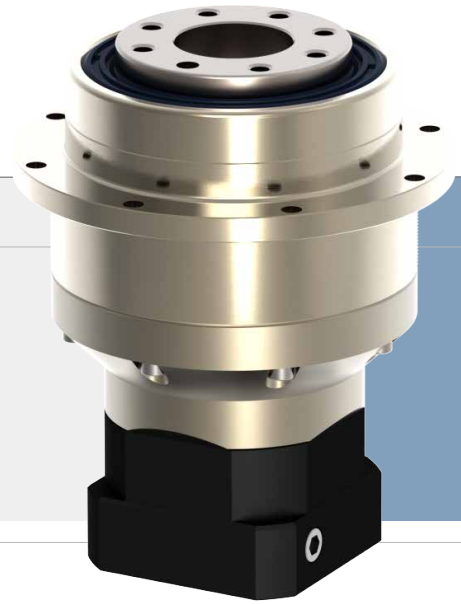


SERVOBOX Planetary Reducers

MODEL : SD

雙段 2-Stage

RATIO : 20, 25, 35, 40, 50, 70, 100



unit: mm

Model Code	47	64	90	110	140	200	255
A							
A1	67	79	109	135	168	233	280
A2	8-3.4	8-4.5	8-5.5	8-5.5	12-6.6	12-9.0	16-13.5
A3	28	40	63	80	100	160	180
A4	47	64	90	110	140	200	255
A5	5	5	6	9·23	10·20	10	11.5·13.5
A6	12	20	31.5	40	50	80	100
A7	72	86	118	146	179	248	300
A8	20	31.5	50	63	80	125	140
A9	4 - M3 x P0.5	7 - M5 x P0.8	7 - M6 x P1.0	11 - M6 x P1.0	11 - M8 x P1.25	11 - M10 x P1.5	12 - M16 x P2.0
A10	3	5	6	6	8	10	12
B							
B1	59	70	98	125	156	212	255
B2	19.5	19.5	30	29	38	50	66
B3	5	7	12	12	12	16	20
B4	3	4	6	6	6	8	12
B5	5	6	10	10	15	15	20
B6	6.5	8	12	12	16	22	32
B7	4	5	7	8	10	12	16
B8	4	6	6	7	7	10	10
B9	100.7	109	144.5·152.5	189·203.5	224.5·234.5·244.5	290.5	349·351
C							
C1	46·60·63	46·60·63	70·75·90	90·100·115·145	115·145·165	145·165·215	200·215·265
C2	M3·M4·M5	M3·M4·M5	M4·M5·M6	M5·M6·M8	M6·M8·M10	M8·M10·M12	M10·M12·M16
C3	8·11	8·11	11·14·16·19	16·19·22·24	22·24·28·32·35	28·32·35·38	35·38·42·48·55
C4	26	26·30.5	33.5·41.5	59·73.5	67·77·82	84.5	114.5·116.5
C5	30·40·50	30·40·50	50·60·70	70·80·95·110	95·110·130	110·130·180	114.3·180·230
C6	M4 x P0.7	M4 x P0.7	M5 x P1.8	M6 x P1.0	M8 x P1.25	M10 x P1.5	M10 x P1.5
C7	46·55	46·55	64·70·80	92·110·130	122·130·150	146·150·190	182·200·250

High Precision Planetary Reducer

規格 Parameter	代號	單位 Unit	速比 Ratio	47	64	90	110	140	200	255
額定輸出扭矩 Rated Output Torque (Nominal output torque)	T_{2N}	Nm	20	22	60	160	335	650	1,200	2,020
			25	20	50	155	333	618	1,189	2,010
			35	19	47	142	309	573	1,108	1,870
			40	22	60	160	335	650	1,200	2,020
			50	20	50	155	333	618	1,189	2,010
			70	19	47	142	309	573	1,108	1,870
			100	16	43	136	294	549	1,059	1,779
最大加速扭矩 Max. Acceleration Torque	T_{2B}	Nm	20 ~ 100	1.8 倍額定輸出力矩 1.8 Times of Rated Output Torque						
最大輸出扭矩 Max. Output Torque 急停扭矩 Emergency Stop Torque	T_{2NOT}	Nm	20 ~ 100	3 倍額定輸出力矩 3 Times of Rated Output Torque						
額定輸入轉速 Rated Input Speed	n_{1N}	rpm	20 ~ 100	3,000	3,000	3,000	3,000	3,000	3,000	2,000
最大輸入轉速 Max. Input Speed	n_{1B}	rpm	20 ~ 100	6,000	6,000	6,000	6,000	5,000	4,000	3,000
背隙 Backlash Ps		arcmin	20 ~ 100	-	-	-	≤ 3	≤ 3	≤ 3	≤ 3
背隙 Backlash P0		arcmin	20 ~ 100	≤ 5	≤ 5	≤ 5	≤ 5	≤ 5	≤ 5	≤ 5
背隙 Backlash P1		arcmin	20 ~ 100	≤ 7	≤ 7	≤ 7	≤ 7	≤ 7	≤ 7	≤ 7
背隙 Backlash P2		arcmin	20 ~ 100	≤ 9	≤ 9	≤ 9	≤ 9	≤ 9	≤ 9	≤ 9
扭轉剛性 Torsional Rigidity		Nm/arcmin	20 ~ 100	6	14	30	86	155	450	1,126
容許徑向力 Max. Radial Force 滾珠軸承 Ball Bearing	F_{2rB}	N	20 ~ 100	2,040	2,520	8,460	12,720	14,070	35,200	39,600
容許軸向力 Max. Axial Force 滾珠軸承 Ball Bearing	F_{2aB}	N	20 ~ 100	1,020	1,260	4,230	6,360	7,035	17,600	19,800
容許徑向力 Max. Radial Force 滾錐軸承 Taper Bearing	F_{2rB}	N	20 ~ 100	-	-	14,660	23,000	37,200	73,600	107,200
容許軸向力 Max. Axial Force 滾錐軸承 Taper Bearing	F_{2aB}	N	20 ~ 100	-	-	7,330	11,500	18,600	36,800	53,600
最大傾斜力矩 Max. Tilting Moment 滾珠軸承 Ball Bearing ※	M_{2K}	Nm	20 ~ 100	31	98	185	320	940	2,200	4,300
最大傾斜力矩 Max. Tilting Moment 滾錐軸承 Taper Bearing ※	M_{2K}	Nm	20 ~ 100	-	-	280	480	1,400	3,300	6,480
使用壽命 Service Life	L_H	hr	20 ~ 100	S5 周期運轉 : >30,000 (S1 連續運轉 : >15,000 hrs) S5 Cycle Operation: >30,000 (S1 Continuous Operation: >15,000 hrs)						
效率 Efficiency	η	%	20 ~ 100	≥ 94%						
使用溫度 Operating Temperature		°C	20 ~ 100	- 25° C ~ + 90° C						
潤滑 Lubrication			20 ~ 100	全合成潤滑油脂 Synthetic Grease						
防護等級 Protection Class			20 ~ 100	IP65						
安裝方向 Mounting Position			20 ~ 100	任意方向 Any						
噪音值 Noise Level		dB	20 ~ 100	≤ 56	≤ 58	≤ 60	≤ 63	≤ 65	≤ 67	≤ 70
重量 Weight ±3%		Kg	20 ~ 100	1	1.9	4.8	9.4	16.7	40.12	64

※Applied to the output shaft center at 100 rpm.

■ 轉動慣量 Mass Moments of Inertia (kg.cm²)

Ratio	47	64	90	110	140	200	255
20	0.03	0.03	0.15	0.45	2.7	7.22	23.22
25	0.03	0.03	0.15	0.45	2.7	7.22	23.22
35	0.03	0.03	0.15	0.45	2.7	7.22	23.22
40	0.03	0.03	0.15	0.45	2.7	7.22	23.22
50	0.03	0.03	0.14	0.4	2.6	7.05	23.07
70	0.03	0.03	0.14	0.4	2.6	7.05	23.07
100	0.03	0.03	0.14	0.4	2.6	7.01	22.67