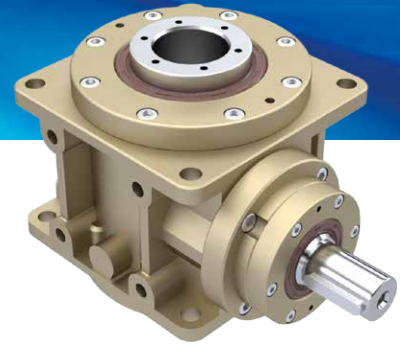


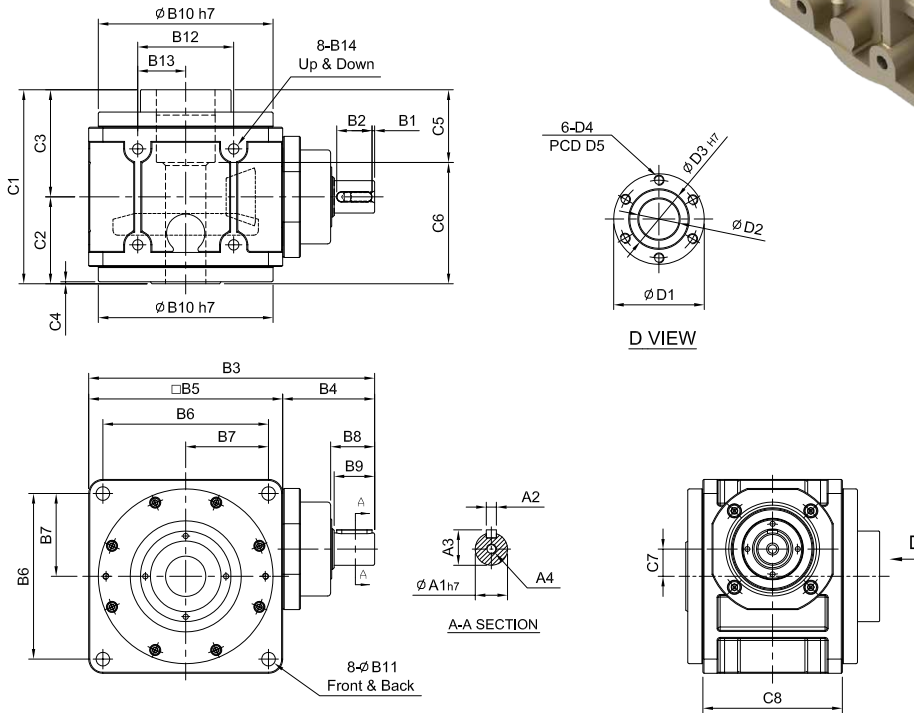
HY-DP series

RATIO : 5.10.15 (單段 1-Stage)



單入力軸心 - 螺桿式

Single Input Shaft - Ball Screw



unit: mm

Model Code	75	90	115	130	140	160	190	230	
A	A1	19	24	28	32	32	38	55	
	A2	6	8	8	10	10	12	16	
	A3	21.5	27	31	35	35	41	59	
	A4	M6 x P1.0	M8 x P1.25	M10 x P1.5	M10 x P1.5	M10 x P1.5	M12 x P1.75	M12 x P1.75	M16 x P2.0
B	B1	2.5	2.5	2.5	5	5	5	5	
	B2	25	35	35	40	40	50	70	
	B3	181	218	260	293	315	367	483	
	B4	66	78	90	101	100	127	183	
	B5	115	140	170	192	215	240	300	
	B6	98	118	144	164	182	206	260	
	B7	49	59	72	82	91	103	130	
	B8	32	42.5	42.5	52.5	51.5	63	83	
	B9	30	40	40	50	50	60	80	
	B10	103	128	148	173	200	227	295	
	B11	9	11	11	13.5	15	17.5	17.5	
	B12	54	66	80	95	104	120	180	
	B13	27	33	40	47.5	52	60	90	
	B14	M8 x P1.25	M10 x P1.5	M12 x P1.75	M12 x P1.75	M14 x P2.0	M16 x P2.0	M16 x P2.0	M16 x P2.0
C	C1	125	140	177	193	205	230	313	
	C2	58	66	78.5	87	94	107	149	
	C3	67	74	98.5	106	111	123	164	
	C4	3.25	2	2.5	2	2.5	2.5	3	
	C5	50	58	72	72	82	92	117	
	C6	75	82	105	121	123	138	196	
	C7	14	18	23	27	32	38	50	
	C8	80	100	120	138	146	166	250	
D	D1	54.7	64.7	89.7	89.7	99.7	117.7	139.5	
	D2	22	30	38	40	44	54	65	
	D3	34	40	58	58	64	75	90	
	D4	M5 x P0.8	M5 x P0.8	M10 x P1.5	M10 x P1.5	M10 x P1.5	M12 x P1.75	M12 x P1.75	M12 x P1.75
	D5	45	51	77	77	84	97	112	
Weight $\pm 3\%$ (kg)			8.6						