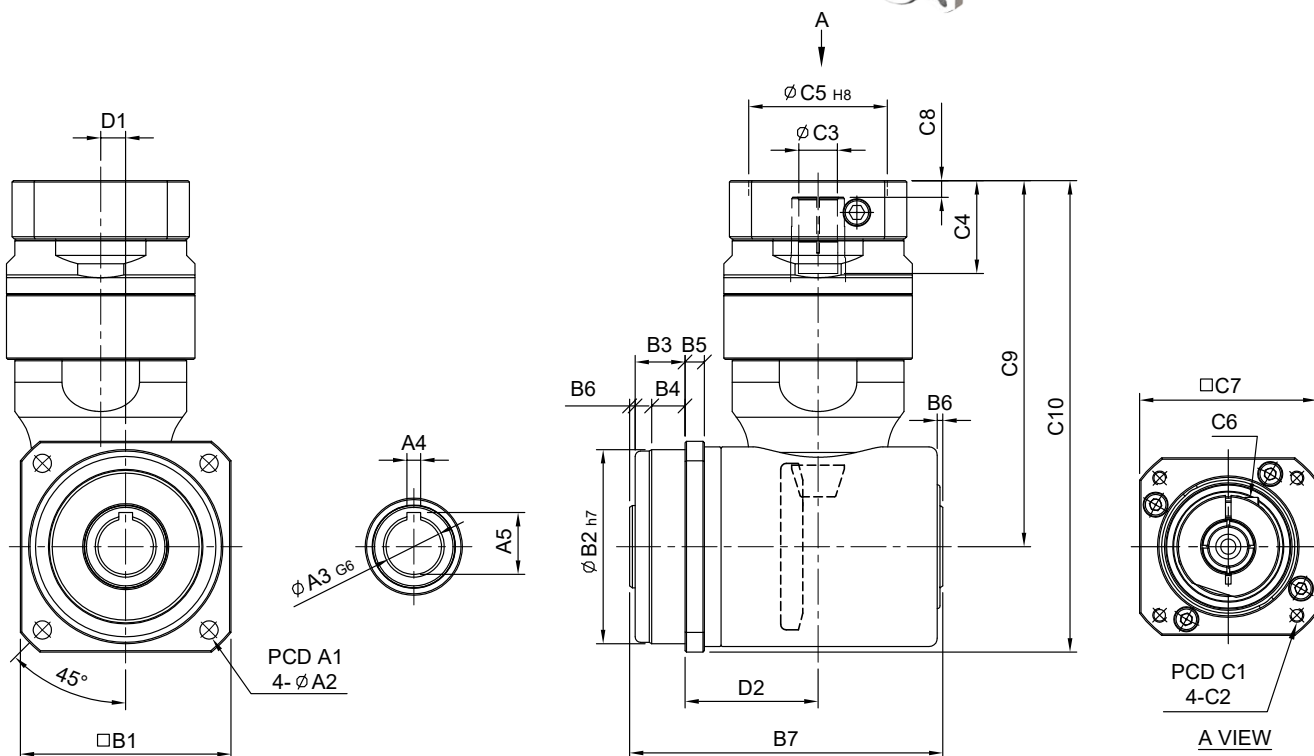


HF-RO series

RATIO : 25.50.75.100.150 (雙段 2-Stage)

搭配行星減速機 - 出力中空軸

Fitted with Planetary Reducer - Hollow Output Shaft



unit: mm

	Model Code	60	75	100	140	180
		A	A1	68	85	120
	A2	5.5	6.5	9	11	13
	A3	15	20	28	40	55
	A4	4	5	8	12	14
	A5	16.7	22.3	31.3	43.3	58.8
B	B1	62	76	106	142	190
	B2	60	70	90	130	160
	B3	18	18	27	27	26
	B4	11	12	16	15.5	15.5
	B5	6	7	10	12	15
	B6	2	2	2	3	3
	B7	103	113	151	193	247
C	C1	46·60·63	70·75·90	70·75·90·115	90·100·115·145	115·145·165
	C2	M3·M4·M5	M4·M5·M6	M4·M5·M6·M8	M5·M6·M8	M6·M8·M10
	C3	8·9·11	11·14	11·14 16·19	16·19·22·24	22·24·28·32
	C4	26	33.5	33.5 41.5	59.2	67.5
	C5	30·40·50	50·60·70	50·60·70·95	70·80·95·110	95·110·130
	C6	M4 x P0.7	M5 x P0.8	M5 x P0.8	M6 x P1.0	M8 x P1.25
	C7	46·55	64·70·80	64·70·80·100	92·110·130	122·130·150
	C8	5	6	6	9.2	10.5
	C9	98	132	155 163	220	278.5
	C10	129	170	208 216	294.5	382.5
D	D1	9	9	14	23	32
	D2	41.5	48	65	90	125
Weight ±3% (kg)						