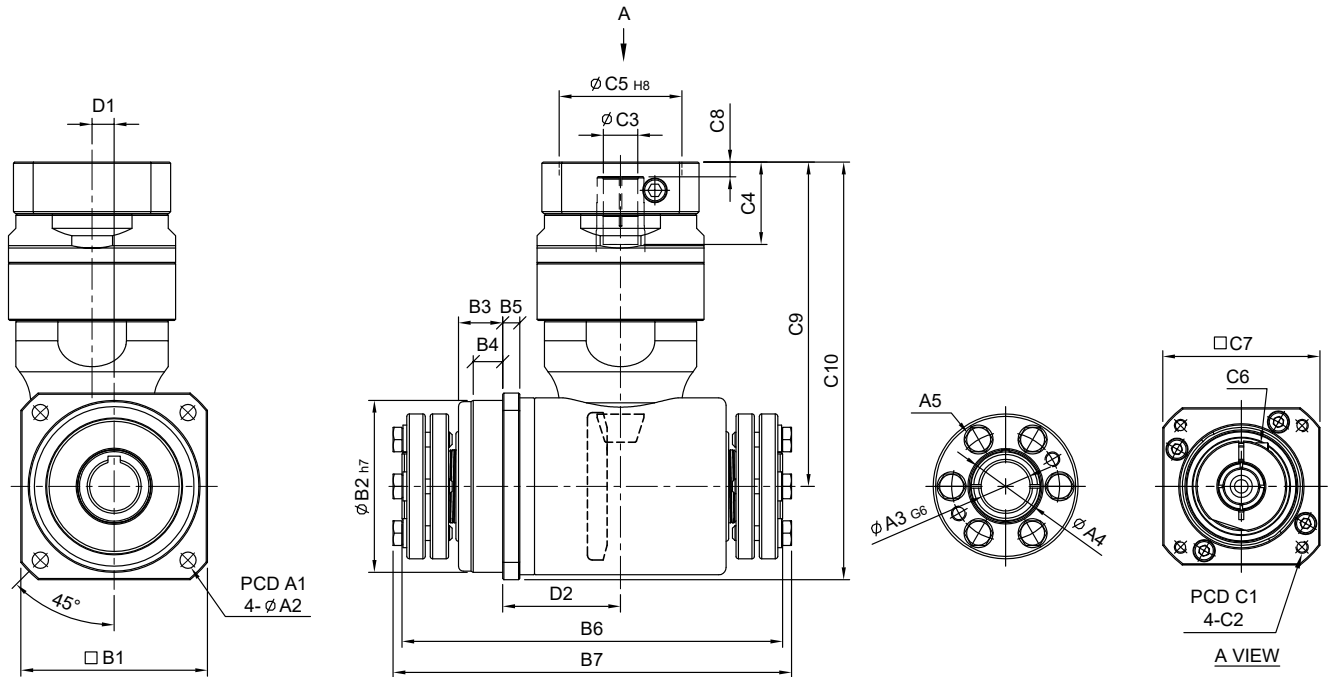


HF-RM series

RATIO : 25.50.75.100.150 (雙段 2-Stage)

搭配行星減速機 - 雙邊免鍵軸套

Fitted with Planetary Reducer - Double Clamping



unit: mm

	Model Code	60	75	100	140	180
		A	A1	68	85	120
	A2	5.5	6.5	9	11	13
	A3	15	20	28	40	55
	A4	22	28	38	52	73
	A5	6-M6	6-M6	8-M6	8-M6	12-M8
B	B1	62	76	106	142	190
	B2	60	70	90	130	160
	B3	18	18	27	27	26
	B4	11	12	16	15.5	15.5
	B5	6	7	10	12	15
	B6	144	155	195	253	311
	B7	153	162	202	264	320
C	C1	46·60·63	70·75·90	70·75·90	90·100·115·145	115·145·165
	C2	M3·M4·M5	M4·M5·M6	M4·M5·M6	M5·M6·M8	M6·M8·M10
	C3	8·9·11	11·14	11·14	16·19·22·24	22·24·28·32
	C4	26	33.5	33.5	59.2	67.5
	C5	30·40·50	50·60·70	50·60·70	70·80·95·110	95·110·130
	C6	M4 x P0.7	M5 x P0.8	M5 x P0.8	M6 x P1.0	M8 x P1.25
	C7	46·55	64·70·80	64·70·80	92·110·130	122·130·150
	C8	5	6	6	9.2	10.5
	C9	98	132	155	220	278.5
	C10	129	170	208	294.5	382.5
D	D1	9	9	14	23	32
	D2	41.5	48	65	90	125
Weight ±3% (kg)						