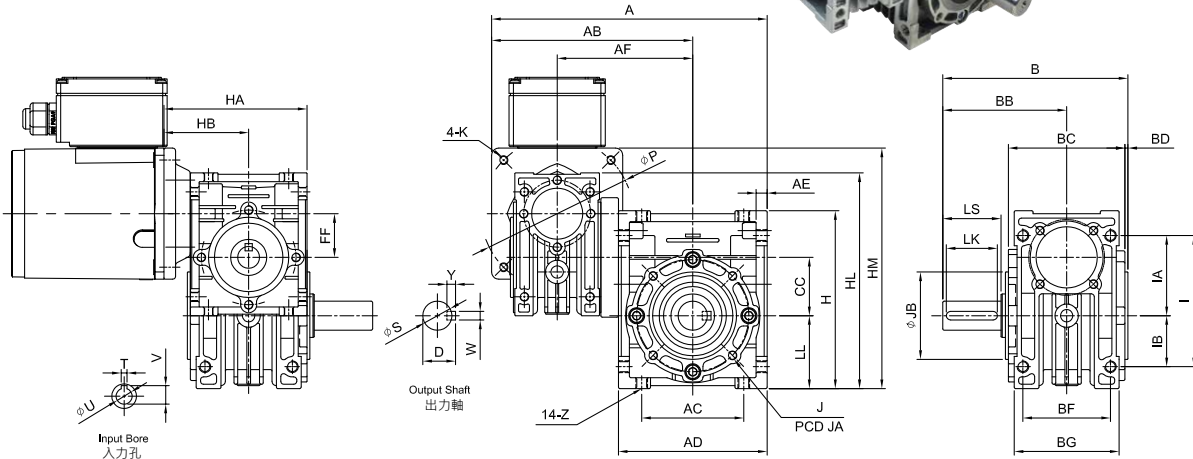
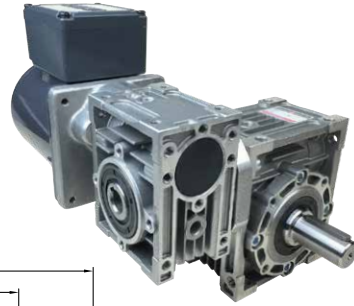


MODEL : NEHCM

搭配圓軸馬達

In Combination with Compact Round-Shaft Motor



unit: mm

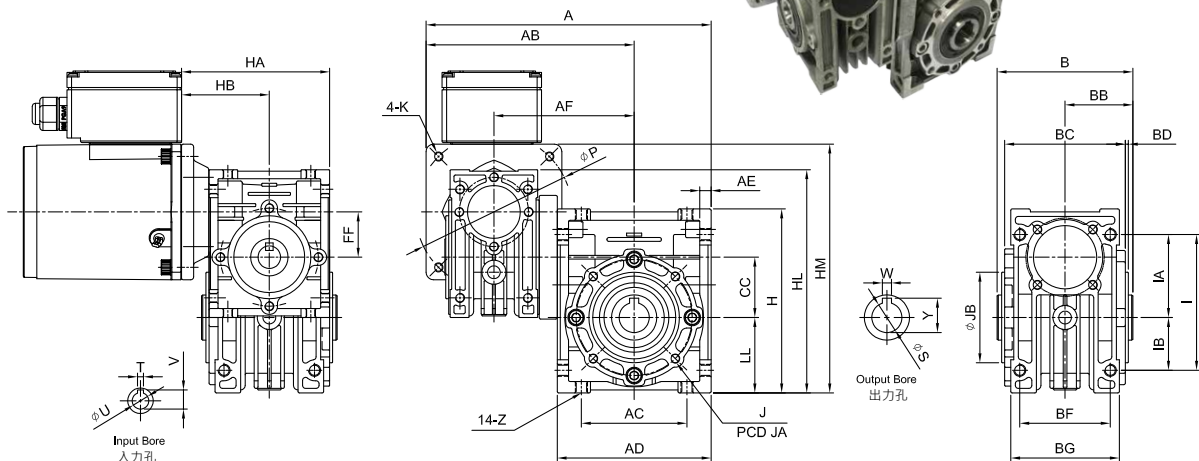
Model	CM	CC	FF	A	AB	AC	AD	AE	B	BB	BC	BD	BF	BG	H	HA	HB	HL	I	IA	IB	LL	Z	出力軸 Output Shaft						Weight (kg)			
																								LS	S	D	WxYxLK	JA	JB		J		
40	09	40	30	184	133	70	102	7.5	93	85	80	2	60	72	122	99	59	109	69	148	90	55	35	50	M8	40	20	22.5	6x6x35	77	60	12-M6	3.96
50	09	50	30	189	138	80	120	8.5	102	100	94	3	70	85	145	99	59	109	69	168	105	65	40	60	M10	50	25	28	8x7x45	95	70	12-M6	5.51
60	09	60	40	189	138	100	146	10	125	105	102	3	85	103	180	131	80	207	136	83	53	75	M10	50	25	28	8x7x45	120	80	12-M8	8.7		

註：重量不含馬達 NOTE: Weight not include motor.

MODEL : NEOHCM

搭配圓軸馬達

In Combination with Compact Round-Shaft Motor



unit: mm

Model	CM	CC	FF	A	AB	AC	AD	AE	B	BB	BC	BD	BF	BG	H	HA	HB	HL	I	IA	IB	LL	Z	出力孔 Output Bore						Weight (kg)			
																								W	S	Y	JA	JB	J				
40	09	40	30	184	133	70	102	7.5	90	45	80	2	60	72	122	99	59	109	69	148	90	55	35	50	M8	6	20	22.8	77	60	12-M6	3.96	
				189	138											109	69																
				202	142											99	59																
50	09	50	30	207	147	80	120	8.5	100	50	94	3	70	85	145	109	69	168	105	65	40	60	M10	8	25	28.3	95	70	12-M6	5.51			
				207	147											109	69																
60	09	60	40	243	170	100	146	10	110	55	102	3	85	103	180	131	80	207	136	83	53	75	M10	8	25	28.3	120	80	12-M8	8.7			

註：重量不含馬達 NOTE: Weight not include motor.