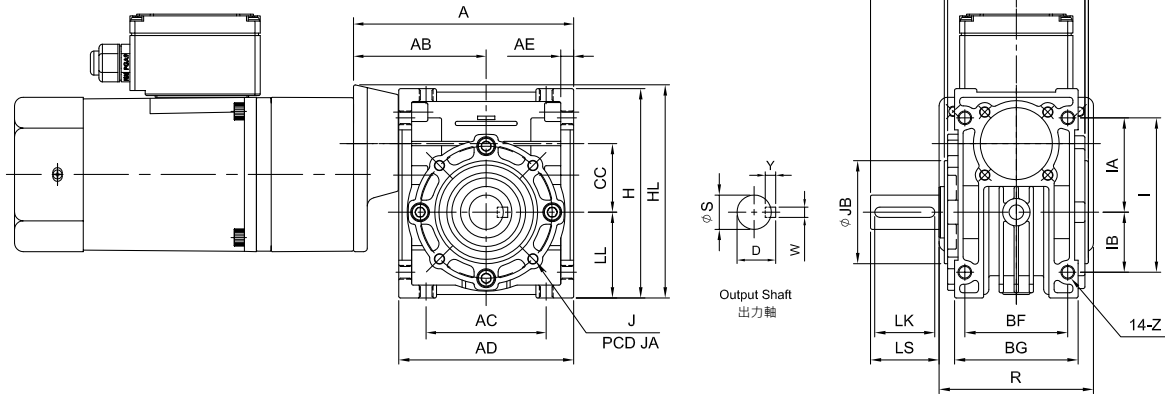
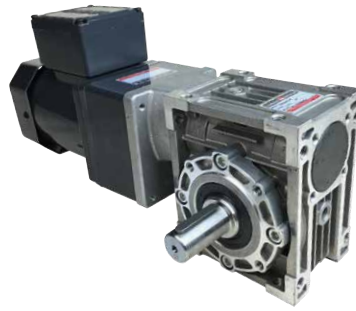


MODEL : NECGM

搭配微型減速機馬達

In Combination with Compact Gearmotor



unit: mm

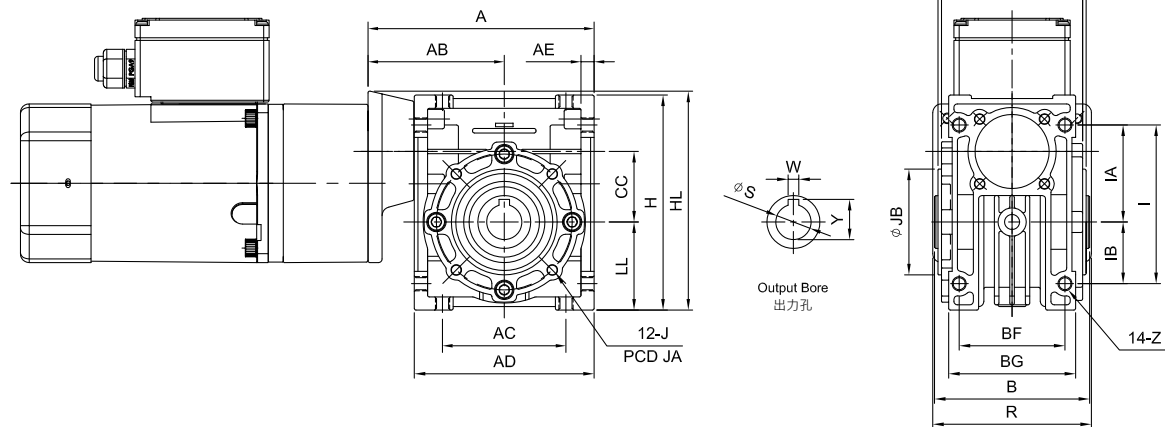
Model	CG	A	AB	AC	AD	AE	B	BB	BC	BD	BF	BG	CC	LL	H	I	IA	IB	Z	出力軸 Output Shaft					Weight (kg)		
																				LS	S	D	WxYxLK	JA		JB	J
30	08 09	99 107	59 67	55	80	6	99.5	67.5	60	2	45	58	30	40	98	72	45	27	M6	35	16	18	5x5x30	65	55	8-M6	1.41
40	09	131	80	70	102	7.5	127	85	80	2	60	72	40	50	122	90	55	35	M8	40	20	22.5	6x6x35	77	60	12-M6	2.9

註：重量不含馬達 NOTE: Weight not include motor.

MODEL : NEOCGM

搭配微型減速機馬達

In Combination with Compact Gearmotor



unit: mm

Model	CG	A	AB	AC	AD	AE	B	BB	BC	BD	BF	BG	CC	LL	H	I	IA	IB	Z	出力孔 Output Bore					Weight (kg)	
																				W	S	Y	JA	JB		J
30	08 09	99 107	59 67	55	80	6	65	32.5	60	2	45	58	30	40	98	72	45	27	M6	5	14	16.3	65	55	8-M6	1.31
40	09	131	80	70	102	7.5	90	45	80	2	60	72	40	50	122	90	55	35	M8	6	20	22.8	77	60	12-M6	2.6

註：重量不含馬達 NOTE: Weight not include motor.