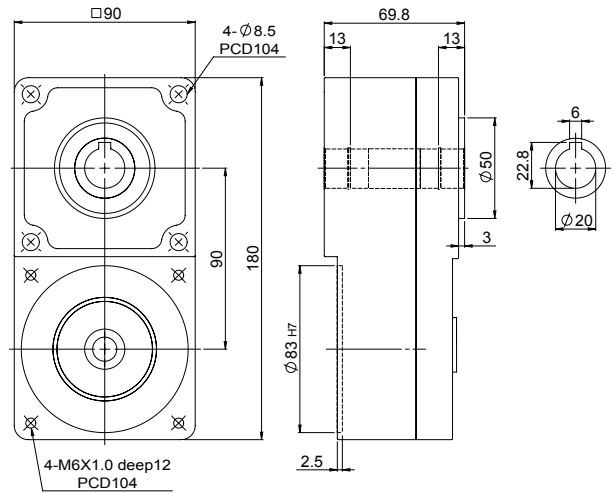


**MODEL : COG09**

中空軸齒輪減速機 Hollow Shaft Gear Reducer  
RATIO : 10、20、25、33、50

註：馬達、速度控制器另購。  
Note: Motor & speed controller is optional.



■ 平行式中空軸減速機之容許轉矩 Permissible Torque of Hollow Shaft Gear Reducer

減速機型號 Reducer Mode	馬達輸出功率 Motor Output Power	減速比 Ratio	20	33	50	62
COG09B	100W	轉速 Rated Speed (RPM)	3,000	3,000	3,000	3,000
		額定轉矩 Rated Torque (Nm)	7	11.5	17.5	21.7
	200W	轉速 Rated Speed (RPM)	3,000	3,000	3,000	3,000
		額定轉矩 Rated Torque (Nm)	9.3	15.4	23.3	28.9
	400W	轉速 Rated Speed (RPM)	3,000	3,000	3,000	3,000
		額定轉矩 Rated Torque (Nm)	16	26.4	40.1	49.7

■ 平行式中空軸減速機容許懸吊載重、容許推力載重

Permissible Overhung Load & Permissible Thrust Load of Hollow Shaft Gear Reducer

減速機型號 Reducer Mode	減速比 Ratio	轉速 Rated Speed (RPM)	容許懸吊載重 Permissible Overhung Load		容許推力載重 Permissible Thrust Load
			10 mm	20 mm	
COG09B	10、20、25、33、50	3,000	1,300N	1,110N	500N
			1,500N	1,280N	