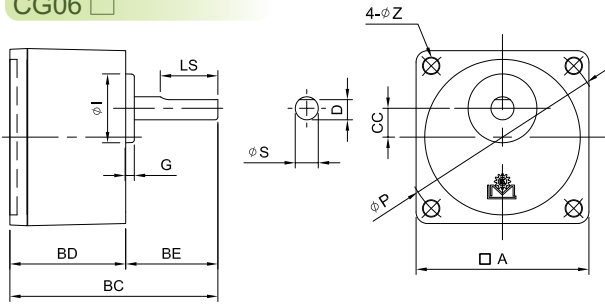
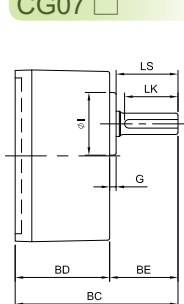


MODEL : CG

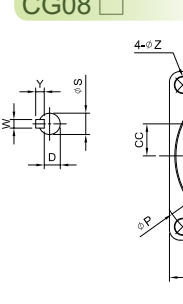
CG06 □



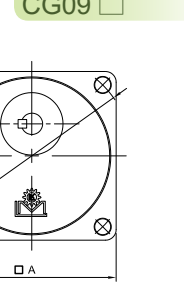
CG07 □



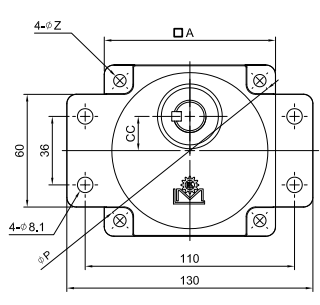
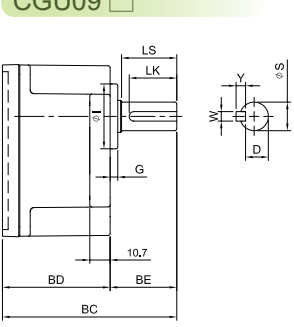
CG08 □



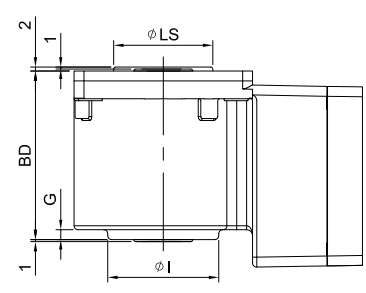
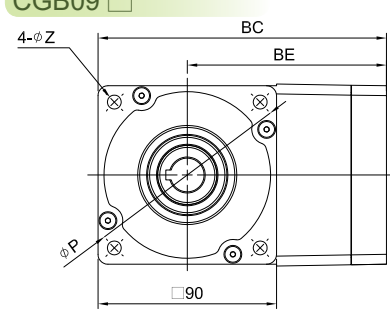
CG09 □



CGU09 □



CGB09 □



型號 Model	動力 Power	減速比 Ratio	A	CC	BC	BD	BE	I	G	P	Z	出力軸 Output Shaft				重量 Weight (kg)
												LS	S	D	WxYxLK	
06	6W	5~75 90~300	60	10	72.2	40.2	32	24	3	70	M4	20	8	7	-	0.34
					78.2	46.2										0.39
07	15W	5~75 90~240	70	15	74	42	32	27	3	82	M5	29	10	7.5	4x4x25	0.52
					80	47										0.58
08	25W	5~75 90~300	80	15	76.3	44.3	32	29	3	94	M5	27	10	7.5	4x4x25	0.66
					83.3	51.3										0.81
09	40W~90W	5~75 91.57~240	90	18	91.6	56.6	35	36	4	104	M6	29	12	8.5	4x4x25	1.2
					100.6	65.6										1.4
GU09	90W	5~75 91.57~240	90	18	91.6	56.6	35	34	4	104	M6	29	12	8.5	4x4x25	1.2
					100.6	65.6							15	12	5x5x25	1.4
GB09	90W	9~225	90	18	145.4	85	100.4	56	5	104	M6	50	17	13.3	5x5x25	1.5
														14.3		

unit: mm