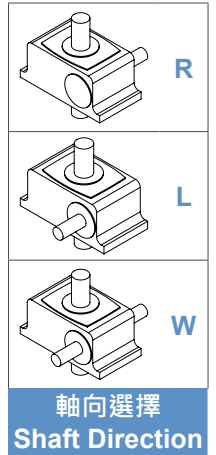
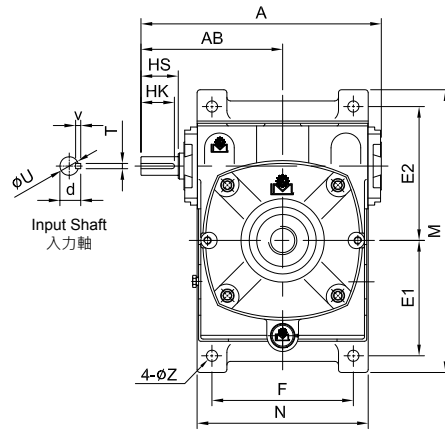
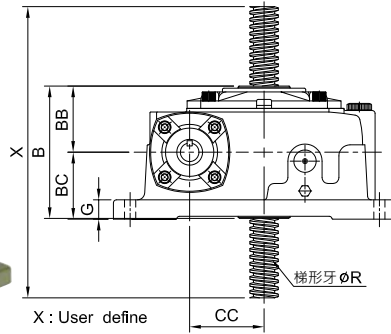


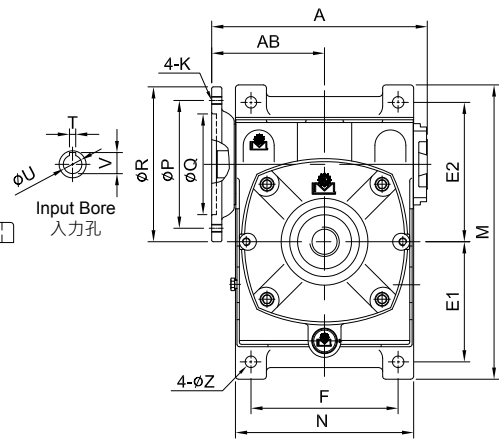
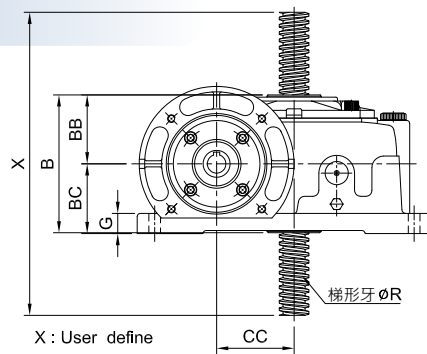
MODEL : VOWY



unit: mm

型號 Model	Ratio \ HP		A	AB	B	BB	BC	CC	腳座 Foot Stock						入力軸 Input Shaft				角牙 R"	螺距 inch/ Pitch	重量 Weight (kg)	
	1/10~ 1/30	1/40~ 1/60							E1	E2	F	M	N	G	Z	HS	U	d				TxVxHK
40	1/8	-	139.5	86	88	45	45	40	75	85	70	183	94	11	9	25	12	13.5	4x4x20	1"	4T	4.6
50	1/4	-	178	105	98	50	50	50	93	102	90	220	118	16	11	30	12	13.5	4x4x25	1"	4T	7.2
60	1/2	1/4	198	120	108	55	55	60	105	120	100	252	128	18	11	40	15	17	5x5x35	1"	4T	11.8
70	1	1/2	235	140	128	65	65	70	120	135	120	288	160	20	15	40	18	20	5x5x35	1 1/8"	4T	15.8
80	2	1	268	161	138	70	70	80	130	150	140	315	183	20	15	50	22	25	7x7x45	1 1/4"	4T	21.8
100	3	2	322	190	178	90	90	100	155	180	190	380	230	30	15	50	25	28	7x7x45	1 1/2"	4T	40.4
120	5	3	390	231	198	100	100	120	185	215	220	450	266	30	18	65	30	33	7x7x60	2"	4T	62
135	7 1/2	5	438	258	218	110	110	135	210	235	260	495	305	35	18	75	35	38	10x8x70	2"	4T	78.8

MODEL : VOMY



unit: mm

型號 Model	Ratio \ HP		A	AB	B	BB	BC	CC	馬達盤 IEC Motor Flange				腳座 Foot Stock						入力孔 Input Bore			角牙 R"	螺距 inch/ Pitch	重量 Weight (kg)	
	1/10~ 1/30	1/40~ 1/60							P	Q	R	K	E1	E2	F	M	N	G	Z	V	T				U
50	1/4	-	154	81	98	50	50	50	130	110	160	M8	93	102	90	220	118	16	11	12.7	4	11	1"	4T	7.6
60	1/2	1/4	167	87	111	55	55	60	130	110	160	M8	105	120	100	252	128	18	11	12.7	4	11	1"	4T	11.4
70	1	1/2	200	105	128	65	65	70	130	110	160	M8	120	135	120	288	160	20	15	16.3	5	14	1 1/8"	4T	17.6
80	2	1	226	118	138	70	70	80	165	130	200	M10	130	150	140	315	183	20	15	21.8	6	19	1 1/4"	4T	23.2
100	3	2	279	146	178	90	90	100	165	130	200	M10	155	180	190	380	230	26	15	27.3	8	24	1 1/2"	4T	41.4
120	5	3	333	173	198	100	100	120	215	180	248	M12	185	215	220	450	266	30	18	31.3	8	28	2"	4T	65
135	7 1/2	5	369	187	218	110	110	135	215	180	248	M12	210	235	260	495	305	35	18	31.3	8	28	2"	4T	81

1. VOWY·VOMY 減速機只適合輕負荷使用。VOWY & VOMY only used for light loading.
2. VOWY·VOMY 減速機之配合螺桿只生產全牙型。The screw for VOWY & VOMY is "No End Tybe" only.
3. 本公司另有生產螺旋升降器減速機 (J1~J9) 供客戶參考。Please refer to Page J1~J9 for Screw Jack Reducers.