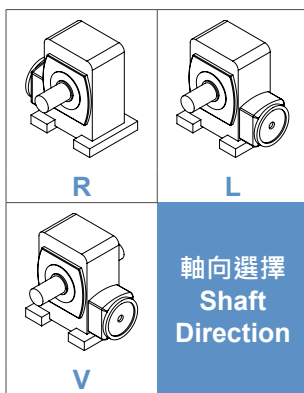
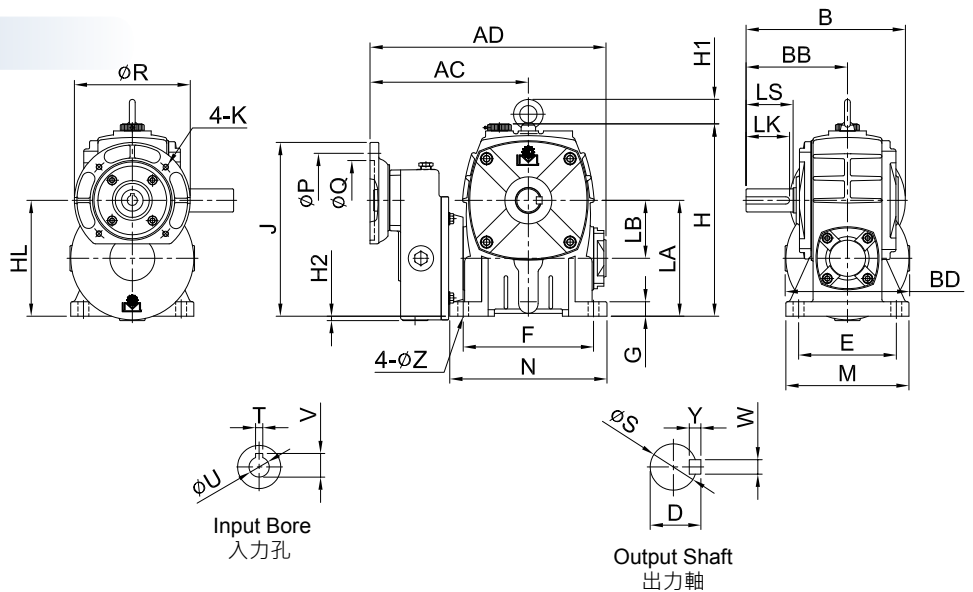
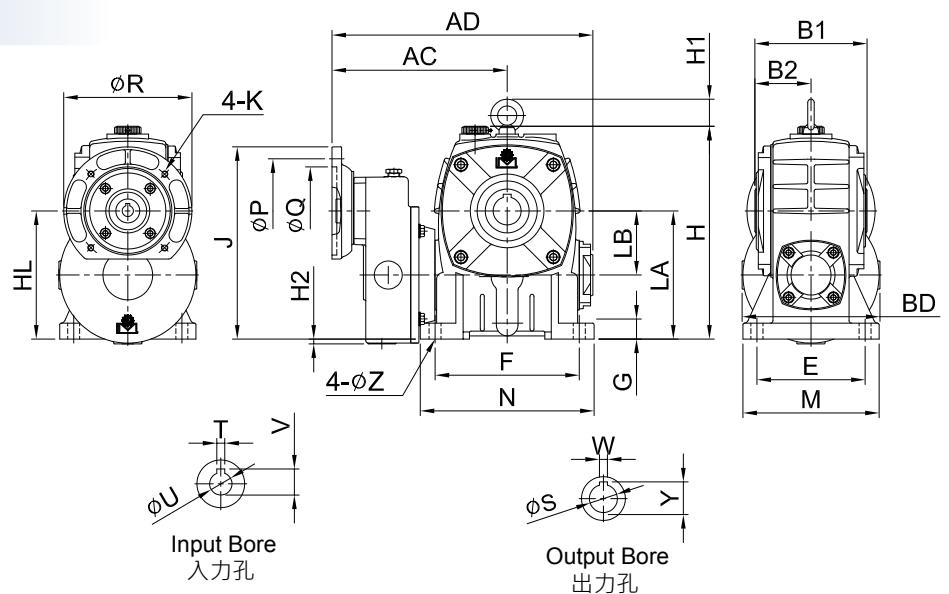


MODEL : LGM



| 型號 Model | 出力軸 Output Shaft | | | | 重量 (kg) Weight |
|-------------|---------------------|----|----|-----------|-------------------|
| | LS | S | D | WxYxLK | LGM |
| 80 | 65 | 32 | 35 | 10x8x60 | 31.6 |
| 100 | 75 | 38 | 41 | 10x8x70 | 48 |
| 120 | 85 | 45 | 48 | 12x8x80 | 72.2 |
| 135 | 95 | 55 | 59 | 15x10x90 | 101.2 |
| 155 | 110 | 60 | 64 | 15x10x105 | 131.6 |

MODEL : LOGM



| 型號 Model | 出力孔 Output Bore | | | 重量 (kg) Weight |
|-------------|--------------------|------|----|-------------------|
| | W | Y | S | LOGM |
| 80 | 10 | 38.3 | 35 | 30 |
| 100 | 10 | 43.3 | 40 | 48.6 |
| 120 | 12 | 48.3 | 45 | 74 |
| 135 | 15 | 59.3 | 55 | 104.6 |
| 155 | 15 | 69.3 | 65 | 126.8 |

| 型號 Model | 馬力 HP (4P) | 減速比 Ratio | AC | AD | B | BB | B1 | B2 | BD | H1 | H2 | LB | H | HL | LA | J | 馬達盤 IEC Motor Flange | | | | 腳座 FOOT STOCK | | | | | 入力孔 Input Bore | | | |
|-------------|------------------|--------------|-----|-----|-----|-----|-----|-------|-----|----|----|-----|-----|-----|-----|-----|-------------------------|-----|-----|-----|------------------|-----|-----|-----|----|-------------------|------|---|----|
| | | | | | | | | | | | | | | | | | P | Q | R | K | E | F | M | N | G | Z | V | T | U |
| | | | | | | | | | | | | | | | | | | | | | | | | | | | | | |
| 80 | 1/2 | 80~300 | 219 | 326 | 235 | 140 | 138 | 70 | 172 | - | 6 | 80 | 266 | 160 | 160 | 246 | 130 | 110 | 160 | M8 | 135 | 180 | 170 | 214 | 20 | 15 | 16.3 | 5 | 14 |
| | | 80~160 | 220 | 327 | 240 | | | | | | | | | | | | 165 | 130 | 200 | M10 | | | | | | | 21.7 | 6 | 19 |
| 100 | 1 | 80~300 | 244 | 377 | 270 | 170 | 178 | 90 | 172 | 36 | - | 100 | 335 | 180 | 200 | 280 | 165 | 130 | 200 | M10 | 155 | 220 | 195 | 270 | 25 | 15 | 21.7 | 6 | 19 |
| | | 80~160 | | | | | | | | | | | | | | | | | | | | | | | | | 27.3 | 8 | 24 |
| 120 | 1 | 80~300 | 282 | 442 | 305 | 190 | 198 | 100 | 172 | 34 | - | 120 | 398 | 200 | 240 | 300 | 165 | 130 | 200 | M10 | 180 | 260 | 230 | 310 | 30 | 18 | 21.7 | 6 | 19 |
| | | 80~200 | | | | | | | | | | | | | | | | | | | | | | | | | 27.3 | 8 | 24 |
| 135 | 2 | 80~300 | 306 | 487 | 322 | 214 | 218 | 110 | 240 | 41 | - | 135 | 440 | 227 | 270 | 353 | 165 | 130 | 200 | M10 | 200 | 290 | 250 | 340 | 32 | 18 | 27.3 | 8 | 24 |
| | | 80~200 | | | | | | | | | | | | | | | | | | | | | | | | | 31.3 | 8 | 28 |
| 155 | 3 | 80~300 | 325 | 525 | 392 | 253 | 247 | 123.5 | 240 | 37 | - | 155 | 486 | 227 | 290 | 353 | 215 | 180 | 252 | M12 | 220 | 320 | 285 | 380 | 38 | 20 | 31.3 | 8 | 28 |
| | | 80~160 | | | | | | | | | | | | | | | | | | | | | | | | | | | |

unit: mm