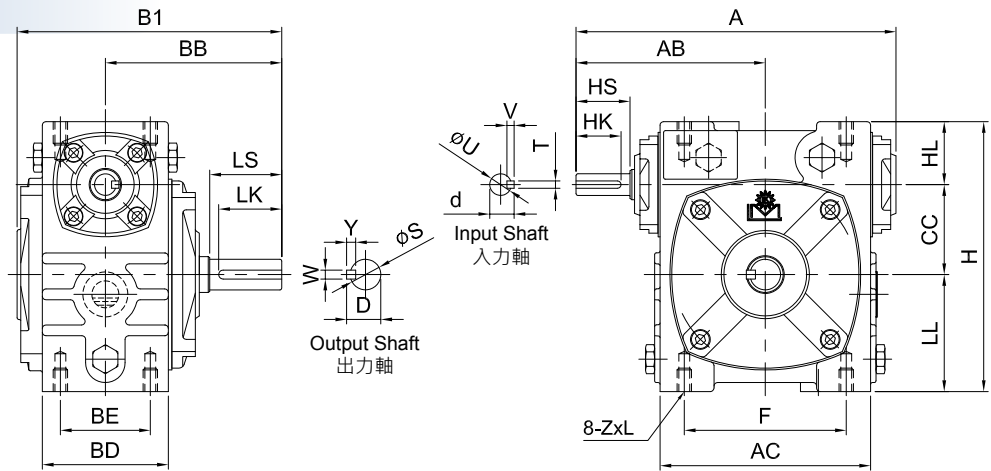


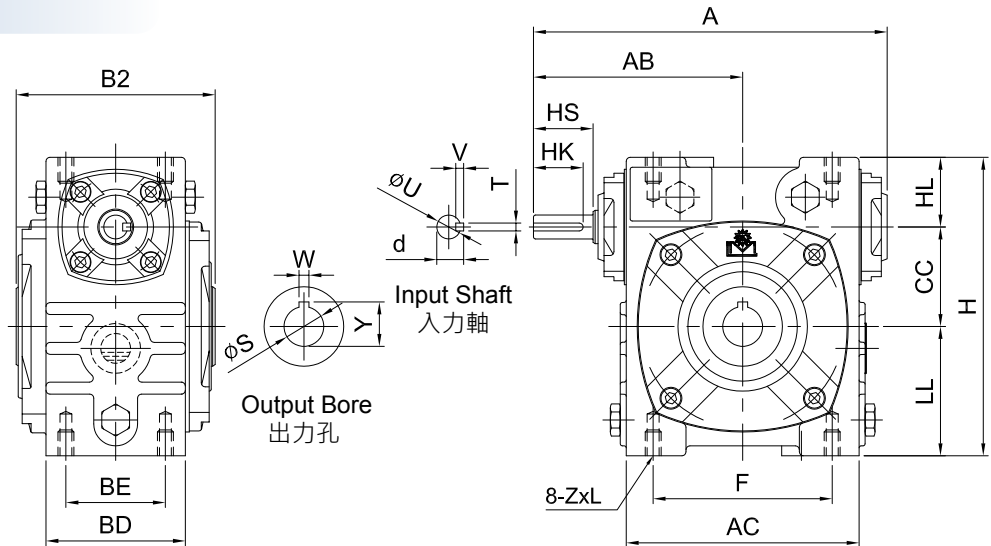
WORM REDUCER E SERIES

蝸輪減速機 E 系列

MODEL : E

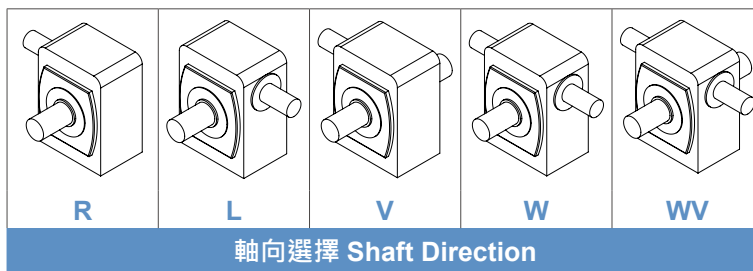


MODEL : EO



unit: mm

型號 Model	出力孔 Output Bore		
	W	S	Y
40	6	20	22.8
50	6	20	22.8
60	8	25	28.3
70	8	30	33.3
80	10	35	38.3
100	10	40	43.3
120	12	45	48.3
135	15	55	59.3



軸向選擇 Shaft Direction

unit: mm

型號 Model	Ratio \ HP		腳座 Foot Stock									輸入軸 Input Shaft				輸出軸 Output Shaft				重量 Weight (kg)						
	1/10~ 1/30	1/40~ 1/60	A	AB	B1	B2	BB	CC	HL	LL	H	AC	F	BD	BE	ZxL	HS	U	d	TxVxHK	LS	S	D	WxYxLK	E	EO
40	1/8	-	139.5	86	122	88	80	40	28	48	116	92	76	55	35	M6x12	25	12	13.5	4x4x20	30	15	17	5x5x25	3	4
50	1/4	-	178	105	147	98	98	50	35	65	150	115	90	70	50	M8x16	30	12	13.5	4x4x25	40	17	19	5x5x35	6.2	7.2
60	1/2	1/4	198	120	165	108	110	60	42	75	177	124	100	77	55	M10x18	40	15	17	5x5x35	50	22	25	7x7x45	9.2	10.4
70	1	1/2	235	140	193	128	130	70	50	85	205	154	125	85	65	M10x18	40	18	20	5x5x35	60	28	31	7x7x55	14	14.2
80	2	1	268	161	208	138	140	80	60	92	232	174	145	96	75	M10x18	50	22	25	7x7x45	65	32	35	10x8x60	18.4	20.4
100	3	2	323	190	258	178	170	100	75	115	290	225	185	116	85	M12x20	50	25	28	7x7x45	75	38	41	10x8x70	34.6	35.4
120	5	3	391	231	288	198	190	120	95	155	370	264	220	132	100	M14x28	65	30	33	7x7x60	85	45	48	12x8x80	56.8	58.2
135	7 1/2	5	438	258	319	218	214	135	105	185	425	306	260	150	110	M16x30	75	35	38	10x8x70	95	55	59	15x10x90	81.2	78.8