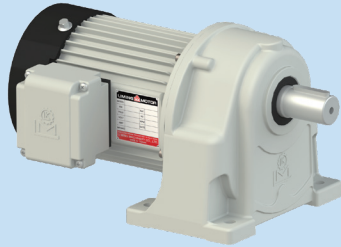


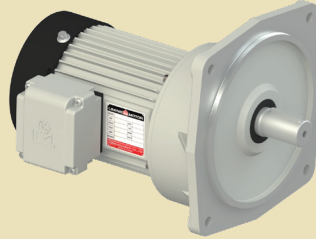


小型齒輪減速機 使用暨保養手冊

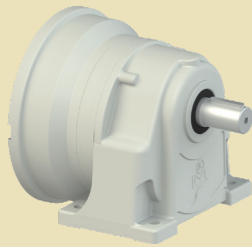
SMALL GEAR REDUCER
INSTALLATION AND USAGE GUIDE



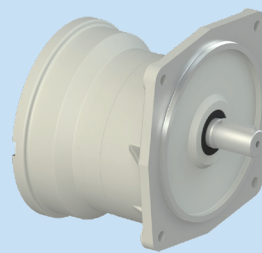
SH



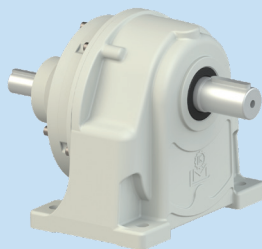
SV



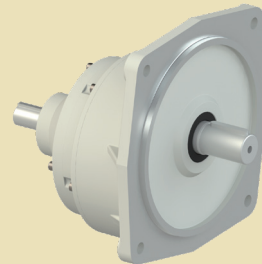
SHB



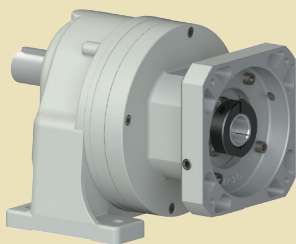
SVB



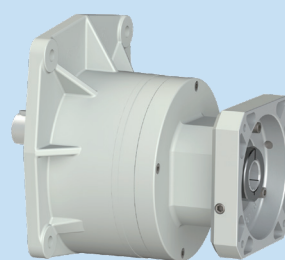
SHD



SVD



SHA

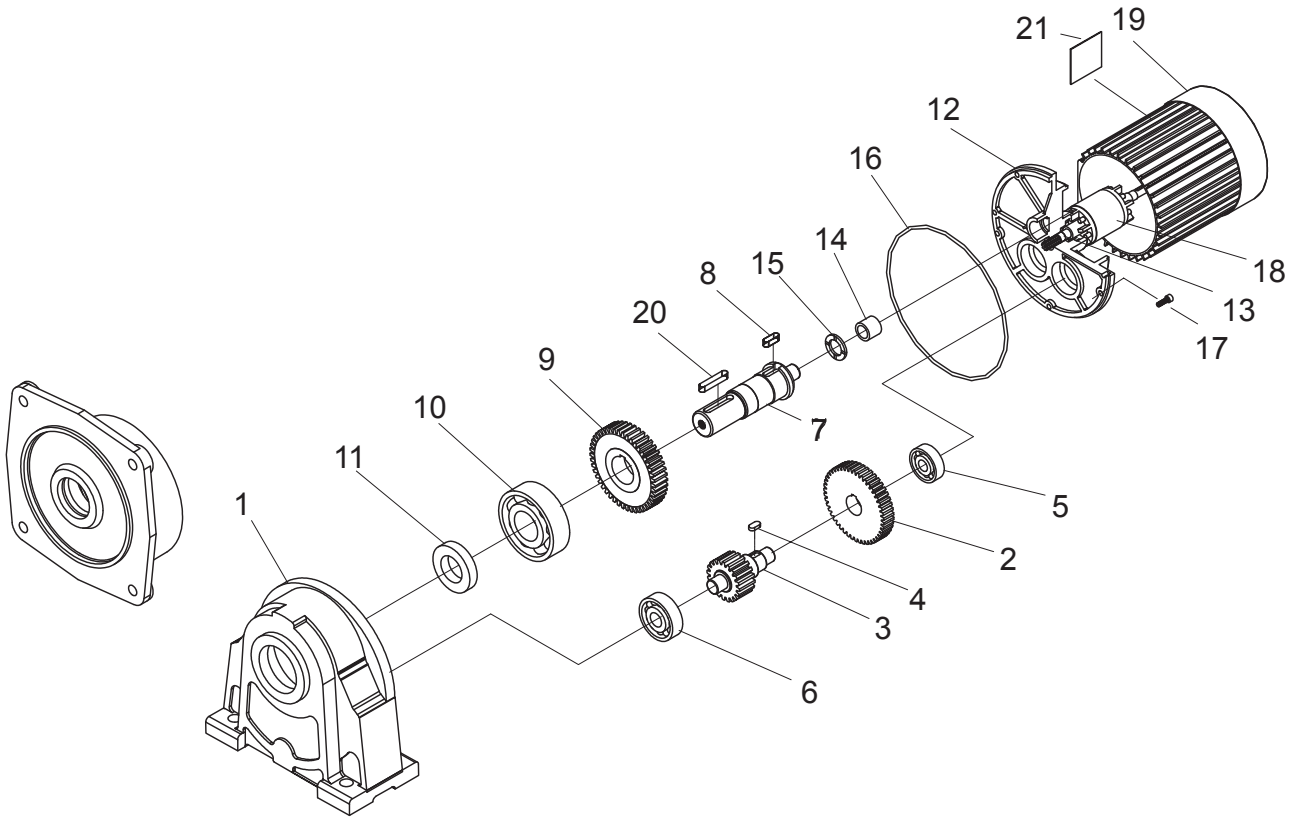


SVA



■ 二段式分解系統圖
2-Stage System Drawing

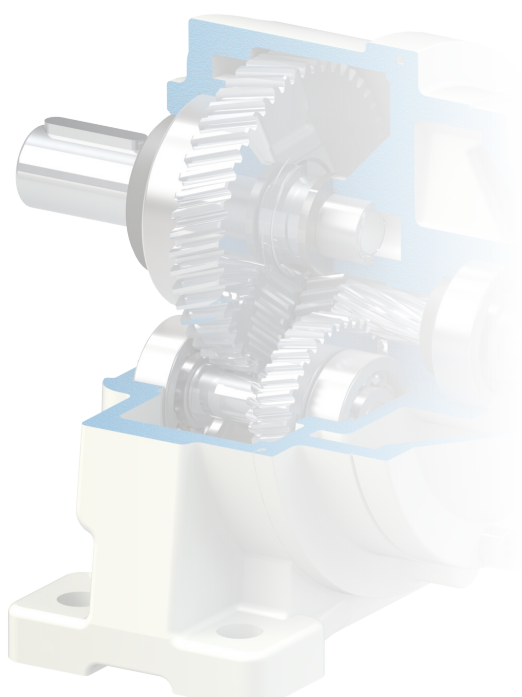
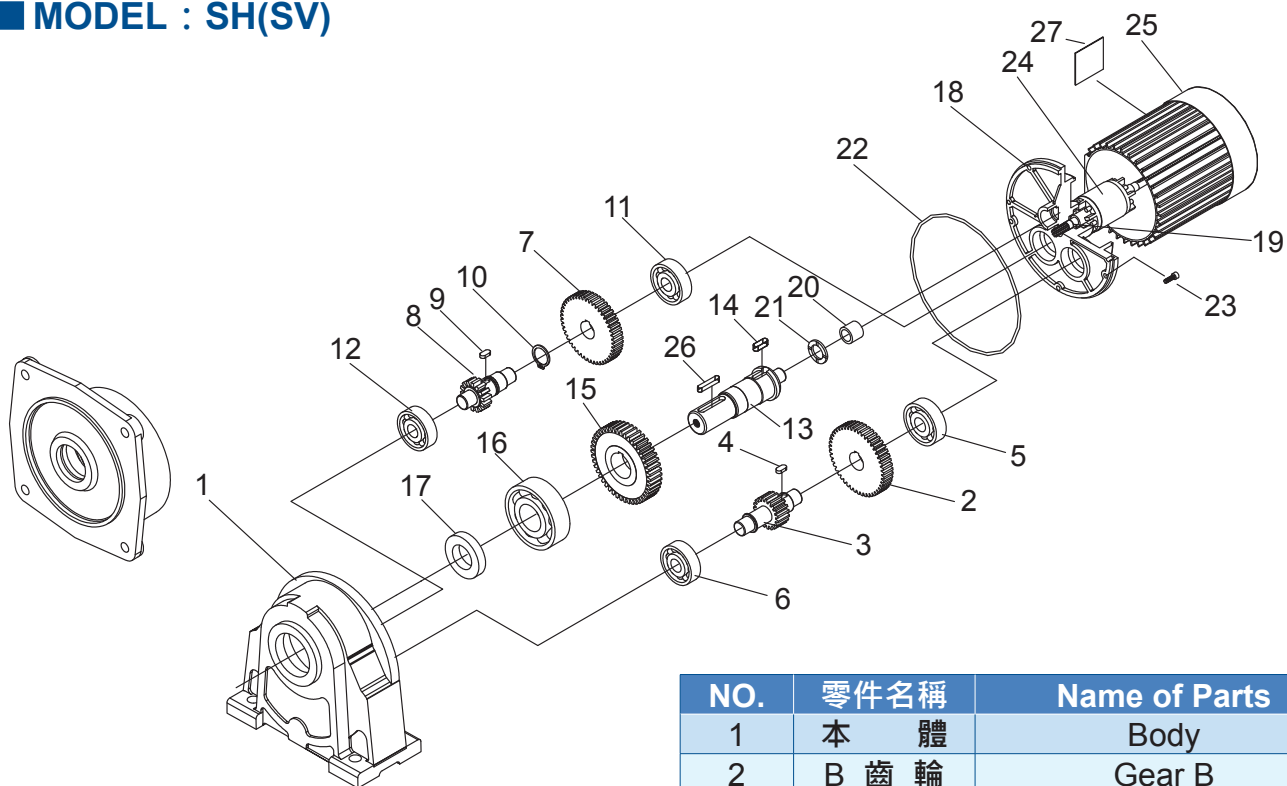
■ MODEL : SH(SV)



NO.	零件名稱	Name of Parts
1	本體	Body
2	B齒輪	Gear B
3	C齒輪	Gear C
4	鍵	Key
5	軸承	Bearing
6	軸承	Bearing
7	出力軸	Output Shaft
8	鍵	Key
9	D齒輪	Gear D
10	軸承	Bearing
11	油封	Oil Seal
12	後蓋	Rear Cover
13	油封	Oil Seal
14	針狀軸承	Needle Bearing
15	止推墊片	Washer
16	O型環	O-Ring
17	固定螺絲	Fixing Screw
18	A齒輪	Gear A
19	馬達	Motor
20	鍵	Key
21	銘牌	Name Plate

■ 三段式分解系統圖
3-Stage System Drawing

■ MODEL : SH(SV)



NO.	零件名稱	Name of Parts
1	本 體	Body
2	B 齒 輪	Gear B
3	E 齒 輪	Gear E
4	鍵	Key
5	軸 承	Bearing
6	軸 承	Bearing
7	F 齒 輪	Gear F
8	C 齒 輪	Gear C
9	鍵	Key
10	扣 環	Snap ring
11	軸 承	Bearing
12	軸 承	Bearing
13	出 力 軸	Output shaft
14	鍵	Key
15	D 齒 輪	Gear D
16	軸 承	Bearing
17	油 封	Oil seal
18	後 蓋	Rear Cover
19	油 封	Oil seal
20	針狀軸承	Needle Bearing
21	止推墊片	Washer
22	O 型 環	O-ring
23	固定螺絲	Fixing screw
24	A 齒 輪	Gear A
25	馬 達	Motor
26	鍵	Key
27	銘 牌	Name plate



齒輪減速機的使用及安裝 Usage and Installation of Reduction Gears

安裝條件 (一般標準品) Installation Condition (For Standard Product)		
周圍溫度	Ambient Temperature	-5°C ~ 40°C
周圍濕度	Ambient Humidity	85% 以下 Below
周圍環境	Ambient Condition	避免腐蝕性，爆發性氣體，水蒸氣之環境，應置於乾燥且通風良好之環境。 Please place in dry and well-ventilated location. Environment with corrosive gas, inflammable Gas and moisture should be avoided.
場所	Location	屋內，須裝置於平坦及堅固的底部。 Indoor; the product should be installed on flat and solid foundation.
標高	Elevation	1000m 以下 below

減速機規格 Specifications of Reduction Gear		
齒輪材料	Gear Material	S45C(高週波) / SCM415(滲碳) / SCM440(氮化)
出力軸材料	Material of Outlet Axle	S45C(High-frequency Wave) / SCM415(Carbonization) / SCM440(Nitrogen Hardening)
潤滑方式	Lubrication	Grease NO.0
外殼	Shell	鋁合金 (ADC12) / 鑄鐵 (FC20) / 鋁合金 (A380) Aluminum Alloy(ADC12) / Cast Iron(FC20)

馬達規格 Motor of Reduction Gear					
相數	Phase No	三相	3-phase	單相	Single-phase
外被構造	Enclosure Structure	全閉外扇 (0.1kW~2.2kW)	Closed with External-fan (0.1kW~2.2kW)	全閉外扇 (0.1kW~2.2kW)	Closed with External-fan (0.1kW~2.2kW)
啟動方式	Start-up Method	直接啟動	Direct	電容運轉 電容啟動運轉	Capacitor Capacitor Motor (Variable Capacitor)
頻率	Frequency	50HZ / 60HZ		50HZ / 60HZ	
電壓	Voltage	415V 220 / 380V	460V 220 / 440V	480V 110 / 220V	
時間定格	Time Scale	連續	Continuous	連續	Continuous
極數	Pole No	4 極	Four	4 極	Four
絕緣	Insulation	E 級	E Grade	E 級	E Grade



齒輪減速機一般故障原因及改善方法

Solutions and Reasons for The Genral Faults of Reduction Gears

故障情況 Fault Description	故障原因 Reasons	解決方法 Solutions
減速機過熱 Overheating	★超負荷運轉 Overload.	★調整至適當負荷 Adjust to proper loading.
	★油封過度磨擦 Over friction of oil seal.	★在油封處滴潤滑油 Drop lubricant at oil seal.
	★出力軸與傳動裝置連接不當 Improper connection between driving shaft and the transmission device.	★調整至適當位置 Adjust to proper position.
	★衝擊荷重大 Large impact loading.	★更換較大型號減速機 Use larger reduction gears.
減速機雜音 Noise	★超負荷運轉 Overload.	★調整至適當負荷 Adjust to proper loading.
	★軸承損傷或間隙過大 Bearing damaged or too large clearance.	★更換軸承 Replace bearing.
	★潤滑油不足或劣化 Lubricant oil shortage or deterioration.	★依指示加入適量潤滑油 Fill in adequate lubricant oil as indication.
	★出力軸與傳動裝置連接不當 Improper connection between driving shaft and the transmission device.	★調整至適當位置 Adjust to proper position.
	★螺栓鬆脫 Bolt loose.	★旋緊螺栓 Tighten bolt.
	★傳動裝置固定不良 Improper installation of transmission device.	★傳動裝置固定 Fix transmission device properly.
漏油 Oil Leakage	★油封損傷 Oil seal damaged.	★更換油封 Replace oil seal.
	★油量過多 Too much oil.	★依指示加入適量潤滑油 Fill in adequate lubricant oil as indication.
	★螺絲鬆脫 Screw loose.	★旋緊螺絲 Tighten screw.
	★外殼破裂 Outside shell fractured.	★更換外殼 Replace outer shell.
出力軸不轉 Driving Shaft Cannot Rotate	★超負荷運轉 Overload.	★調整至適當負荷 Adjust to proper loading.
	★軸承損傷 Bearing damaged.	★更換軸承 Replace bearing.
	★異物嵌入 Invasion by foreign objects.	★取出異物 Take out foreign objects.
	★齒輪磨損 Gear worn-out	★更換齒輪 Replace gear.
	★馬達損壞 Motor out of order.	★修復馬達 Repair motor.
	★配線錯誤 Incorrect wiring.	★依指示配線 Wiring as indication.
	★衝擊荷重過大	★更換較大型號減速機 Use larger reduction gears.

注：

1. 以上所列為一般故障原因，如有其它故障情形時，請與本公司聯絡，我們將會提供最正確之服務。
2. 產品如經自行拆裝或更改，產生異常本公司恕不負責。

NOTES：

- 1.The above items are general fault descriptions. In case of other kinds of faults, please contact with us to obtain most correct services.
- 2.If the product has been broken off or changed, the unusual matter the company won't be in charge of the case.