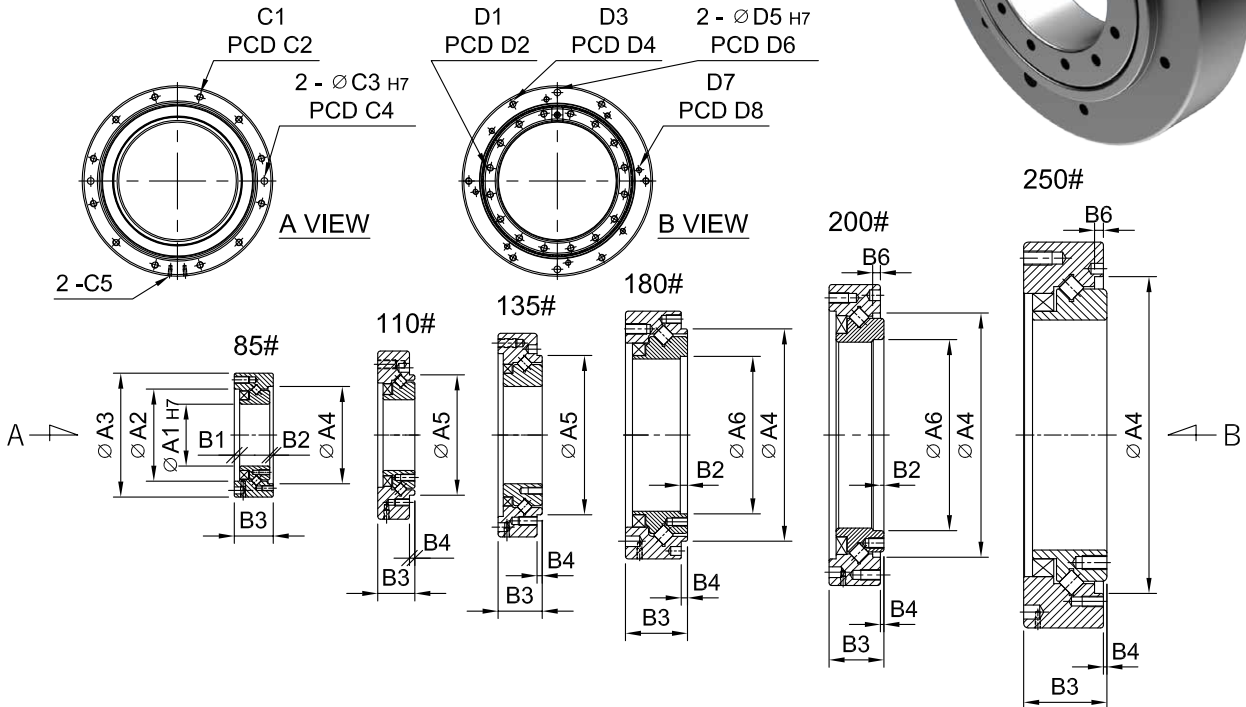
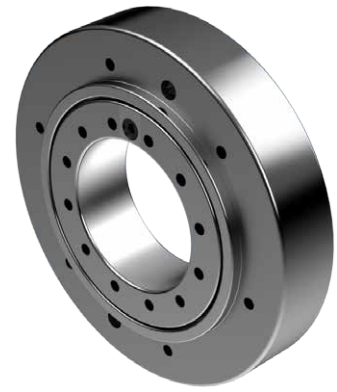


交叉滚柱轴承 Cross Roller Bearing

MODEL : CLT



Code \ Model	85	110	135	180	200	250
A1	35	40	55	86	105	130
A2	52	59	92	104	140	160
A3	70	95	115	138	170	218
A4	55	-	-	-	138	179
A5	-	68	90	120	-	-
A6	-	-	-	89	108	-
B1	3	3	3	4	4	5
B2	2	-	-	4	6	-
B3	22	21	25	35	31	47
B4	-	3	3	3.5	2	2
B5	5	4.5	6	8	8	8
B6	3	-	-	-	4.3	5
C1	6-M4xP0.7	6-M5xP0.8	6-M5xP0.8	6-M6xP1.0	12-M6xP1.0	12-M8xP1.25
C2	62.5	80	104	120	155	200
C3	4 deep5	5 deep6	5 deep6	6 deep7	6 deep7	8 deep9
C4	62.5	80	104	120	155	200
C5	M3xP0.5	M3xP0.5	M3xP0.5	M3xP0.5	M3xO0.5	M3xP0.5
D1	12-M3xP0.5	12-M4xP0.7	12-M4xP0.7	8-M5x0.8	16-M6xP1.0	16-M8xP1.25
D2	42	48	63	98	122	144
D3	12-M3xP0.5	6-M4xP0.7	6-M6xP1.0	6-M5x0.8	6-M6xP1.0	6-M6xP1.0
D4	60	76	97	130	158	188
D5	-	5 deep6	5 deep6	5 deep6	6 deep6	6 deep7
D6	-	76	97	130	158	188
D7	-	-	-	-	8-M5xP0.8	-
D8	-	-	-	-	147	-