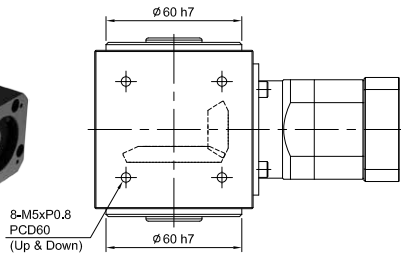


MODEL : FT70

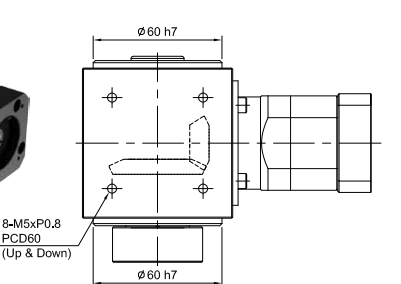
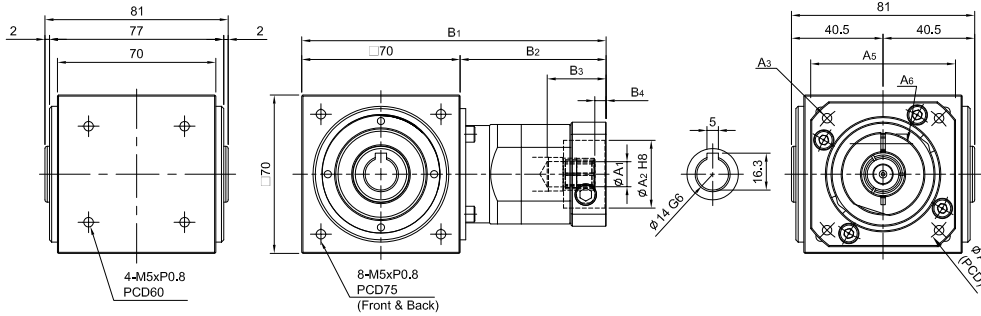
RATIO : 10.15.20.25.30.40.50 (雙段 2-Stage)



FT-RO

搭配行星減速機 - 出力中空軸
Fitted with Planetary Reducer
- Hollow Output Shaft

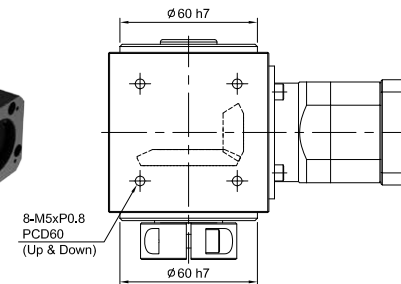
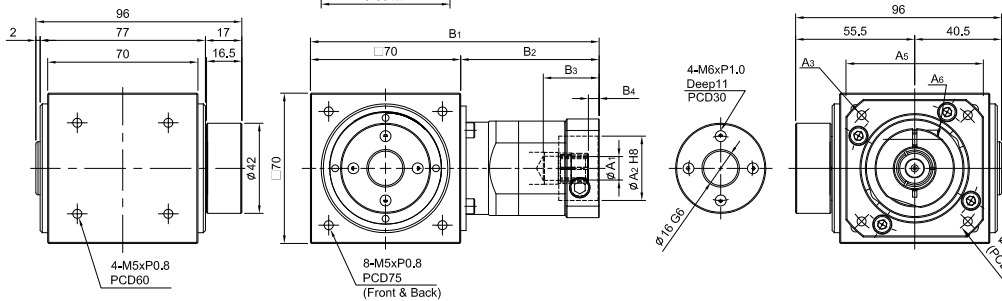
Model Code		70	
A1	8 · 11	14	
A2	30 · 40 · 50	50 · 60 · 70	
A3	M3 · M4 · M5	M4 · M5 · M6	
A4	46 · 60 · 63	70 · 75 · 90	
A5	46 · 55	64 · 70 · 80	
A6	M3 x P0.5	M5 x P0.8	
B1	135	146	
B2	65	76	
B3	26	33.5	
B4	5	6	
Weight $\pm 3\%$ (kg)	2.2		



FT-RP

搭配行星減速機 - 出力盤式
Fitted with Planetary Reducer
- Fixing Flange

Model Code		70	
A1	8 · 11	14	
A2	30 · 40 · 50	50 · 60 · 70	
A3	M3 · M4 · M5	M4 · M5 · M6	
A4	46 · 60 · 63	70 · 75 · 90	
A5	46 · 55	64 · 70 · 80	
A6	M3 x P0.5	M5 x P0.8	
B1	135	146	
B2	65	76	
B3	26	33.5	
B4	5	6	
Weight $\pm 3\%$ (kg)	2.5		



FT-RC

搭配行星減速機 - 出力迫緊環
Fitted with Planetary Reducer
- Set Collar

Model Code		70	
Weight $\pm 3\%$ (kg)	2.35		

